
Accessory for Vision Systems - PLC-power cable, 6p, DC, 5m

Short description: HR10A-7P-6S, plug with socket contacts to open cable end, drag chain capable



Order number: 4-44-199

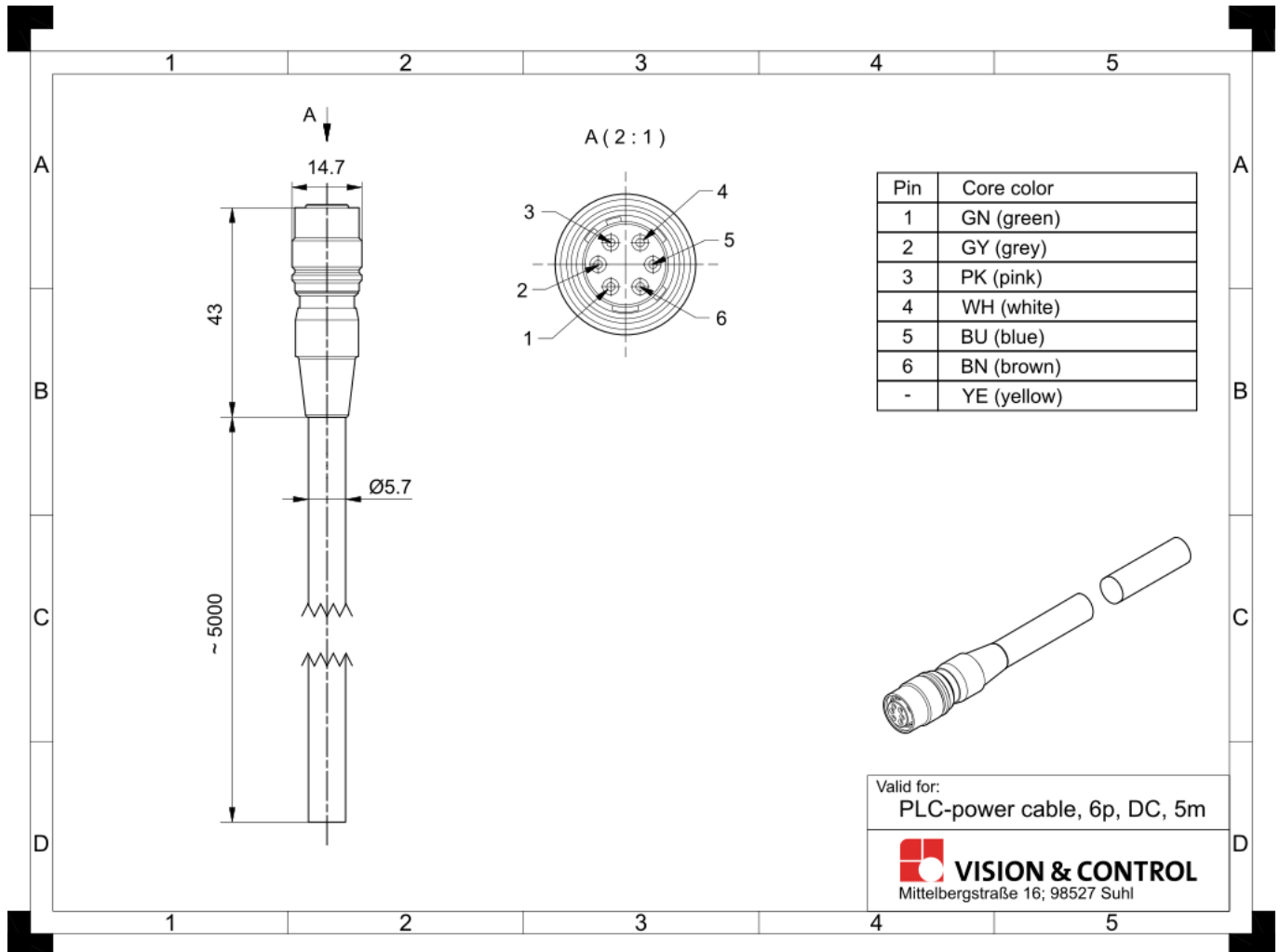
Characteristics

- PLC power cable for Cameras
 - suitable for drag chain applications
 - for the transmission of I/O signals and for power supply (alternative to PoE)
 - Cable end on the camera side: 6-pin HIROSE round connector
 - open cable end: not assembled
-

Technical data

Cabel type	PLC power cable suitable for drag chains
Connector A	Hirose Electronic HR10A-7P-6S round plug
Connector B	free cable end, not assembled
Cabel	
Cable length	5 m
Cable diameter	5.7 mm
Cable structure	7 x 0.14mm ²
Sheath material	PUR, halogen-free
Ambient temperature	fixed installation: -40 °C ... +80 °C flexible: -50 °C ... +80 °C
Drag chain suitable	yes
Bending radius	fixed installation: 22.8 mm (5 x Ø) flexible: 45.6 mm (10 x Ø)
Bending cycles	min. 1 million cycles
Robot-suitable	no
Usable with:	
Cameras for vicosys	Allied Vision - Mako

Drawings



Dimensional drawing in mm