

---

## Accessory for Vision Systems - PLC-power cable, 12p, DC, 5m

---

**Short description:** HR10A-10P-12S, plug with socket contacts to open cable end, drag chain capable



**Order number:** 4-44-197

---

### Characteristics

- PLC power cable for Cameras
  - suitable for drag chain applications
  - for the transmission of I/O signals and for power supply (alternative to PoE)
  - Cable end on the camera side: 12-pin HIROSE round connector
  - open cable end: not assembled
-

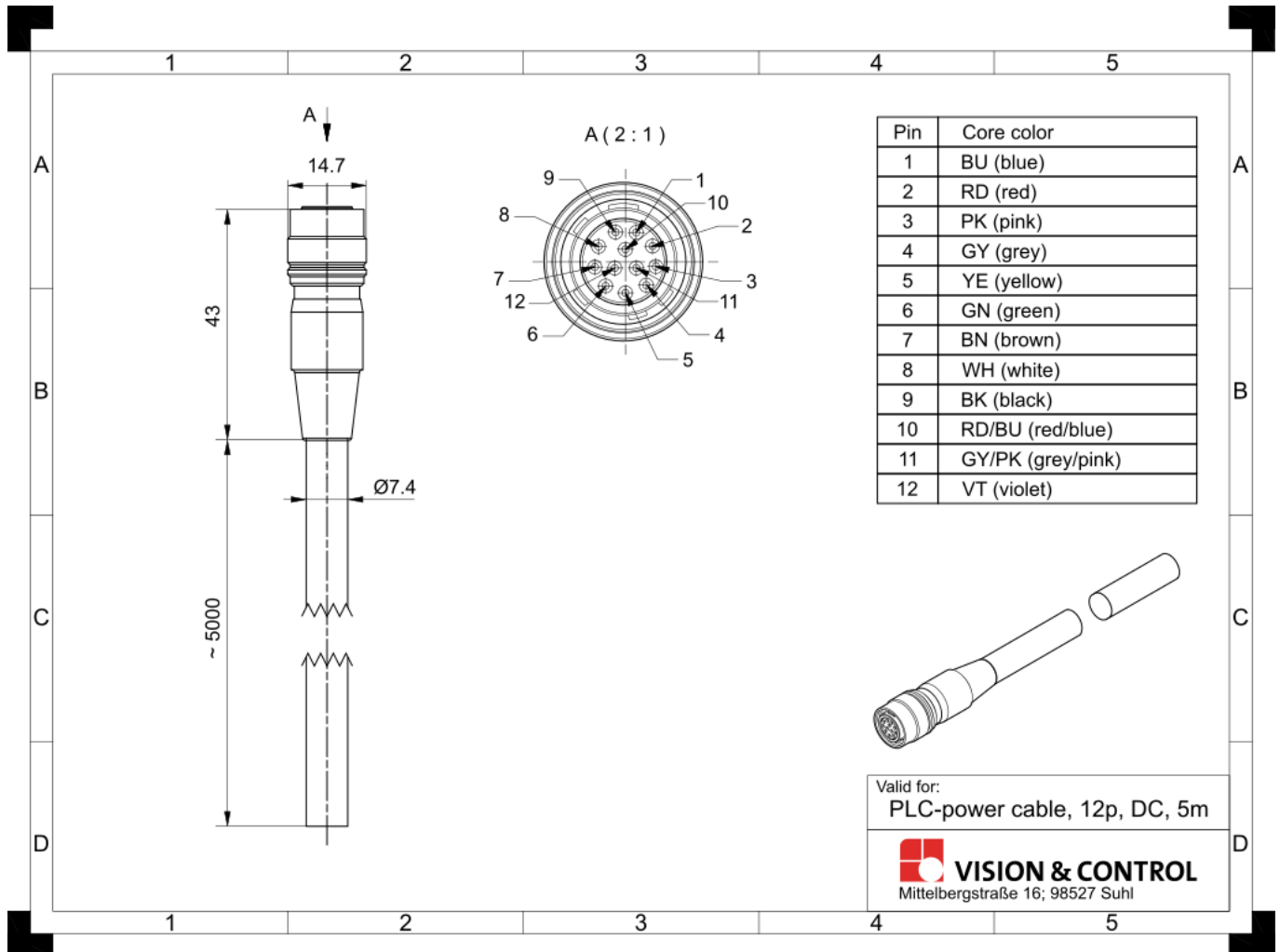
---

## Technical data

Cabel type	PLC power cable suitable for drag chains
Connector A	Hirose Electronic HR10A-10P-12S round plug
Connector B	free cable end, not assembled
<b>Cabel</b>	
Cable length	5 m
Cable diameter	7.4 mm
Cable structure	6 x 2 x 0.14mm <sup>2</sup>
Sheath material	PUR, halogen-free
Ambient temperature	fixed installation: -40 °C ... +80 °C flexible: -50 °C ... +80 °C
Drag chain suitable	yes
Bending radius	fixed installation: 37.0 mm (4 x Ø) flexible: 74.4 mm (8 x Ø)
Bending cycles	min. 1 million cycles
Robot-suitable	no
<b>Usable with:</b>	
Smart Camera	pictor <sup>®</sup> N pictor <sup>®</sup> M
Cameras for vicosys	Allied Vision - Manta Allied Vision - Prosillica Matrix Vision - mvBlueCOUGAR-X

---

## Drawings



Dimensional drawing in mm