

Accessory for Vision Systems - GigE cable, CAT.6, T, 5m

Short description: RJ45/RJ45, 1 x screw lock, torsion-capable: \pm 180°/m, for GigE Vision cameras 

Order number: 4-44-193

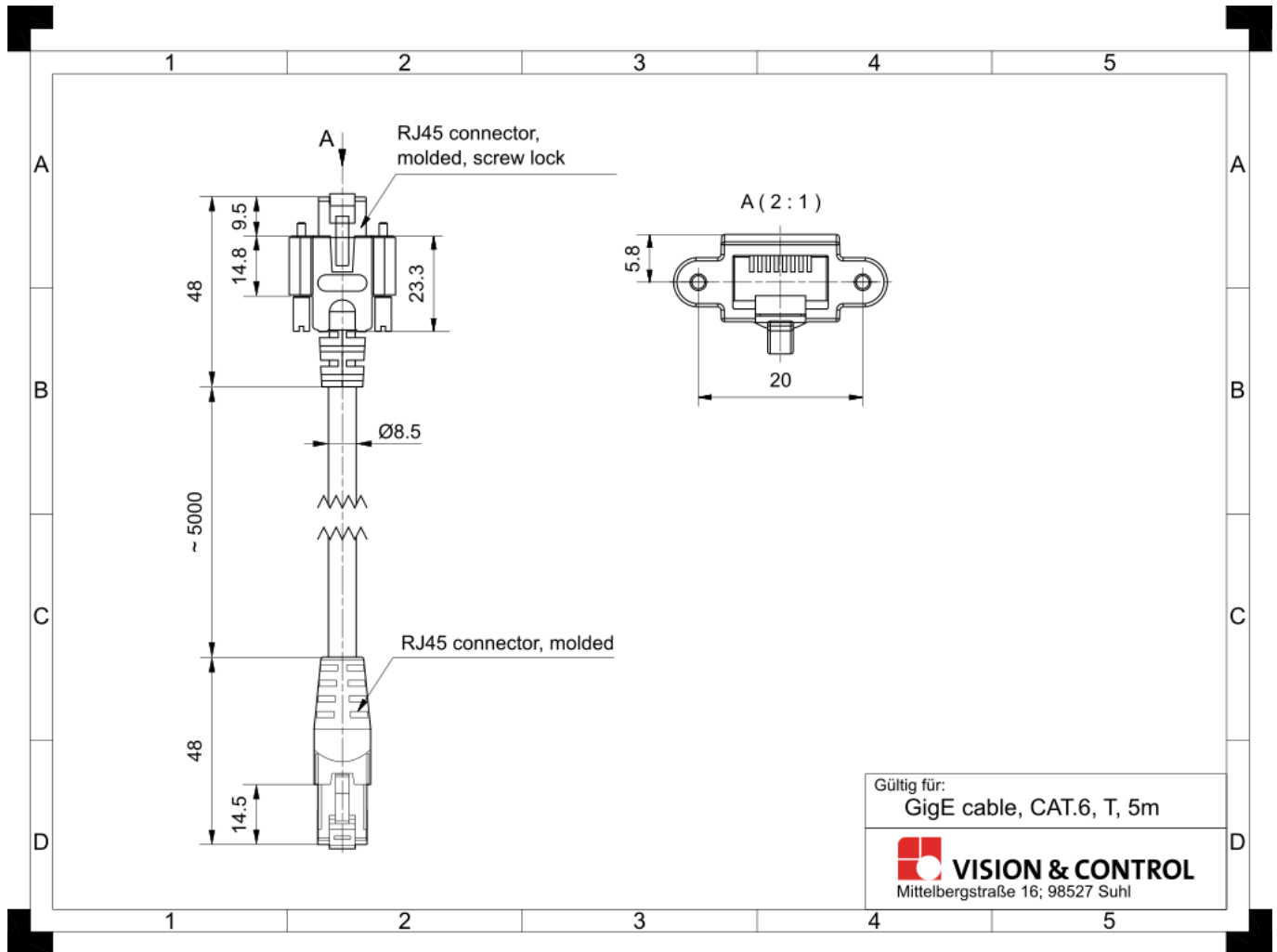
Characteristics

- Ethernet cable for GigE vision cameras
 - suitable for torsion and drag chain applications
 - 4-pair stranded for 10/100/1000Mbit/s Industrial Ethernet
 - HF-characteristics Cat.6 according to IEC 61156-6
 - 1 x RJ45 click-lock plug, molded
 - 1 x RJ45 click-lock plug, horizontally screwable, molded
-

Technical data

Cabel type	GigE patch cable, CAT.6 torsion-capable
Connector A	RJ45 with horizontal screw locking
Connector B	RJ45 standard
Cabel	
Cable length	5 m
Cable diameter	8.5 mm
Cable structure	4 x 2 x 1 (AWG26/19)
Sheath material	PUR, halogen-free
Ambient temperature	fixed installation: -40 °C ... +80 °C flexible: -30 °C ... +60 °C
Drag chain suitable	yes
Bending radius	fixed installation: 25.5 mm (3 x Ø) flexible: 85.0 mm (10 x Ø)
Robot-suitable	yes
Torsion angle	Torsion: $\pm 180^\circ/\text{m}$
Torsion cycles	min. 1 million cycles

Drawings



Dimensional drawing in mm