
Camera for Multi-Camera Systems - Manta G-031B PoE

Short description: PoE - Gigabit Ethernet Camera 1/4" CCD,
658x492, 125fps, mono, global shutter

Order number: 4-22-322



Characteristics

- GigE area scan camera for industrial applications
 - 1/4" CCD monochrome sensor with VGA resolution
 - industrial GigE Vision interface with Power over Ethernet
 - RJ45 Ethernet connection with screw connector for safe operation
 - C-mount lens connection
 - easy attachment with standard M3 thread at the top and bottom of the housing
-

Technical data

Sensor Data

Sensor name	Sony ICX618ALA
Chroma	Monochrome
Sensor technology	Interline CCD, Progressive Scan
Readout method	Global Shutter
Sensorformat	1/4"
Sensor diagonal	4.5 mm
Resolution total	640 x 480 *
Number of pixel	0.3 MPixel
Pixel size	5.6 µm x 5.6 µm
Frame rate	125 fps
Shutter (exposure time)	58 µs ... 60 s
Gain control	0 dB ... 32 dB

Camera Data

Family	Allied Vision - Manta PoE
Type	GigE Vision area scan camera
Interfaces	GigE Vision with PoE opto-decoupled I/Os 2x IN, 2x OUT

General Data

Power requirements	Power over Ethernet (PoE) 8 V - 30 VDC AUX (12-pin Hirose)
Power consumption	4.3 W (PoE); 3.7 W (at 12 VDC)
Lens mount	C-Mount
Dimensions	86.4 mm x 44 mm x 29 mm (including connections)
Weight	210 g
Operating temperature	5 °C ... 45 °C

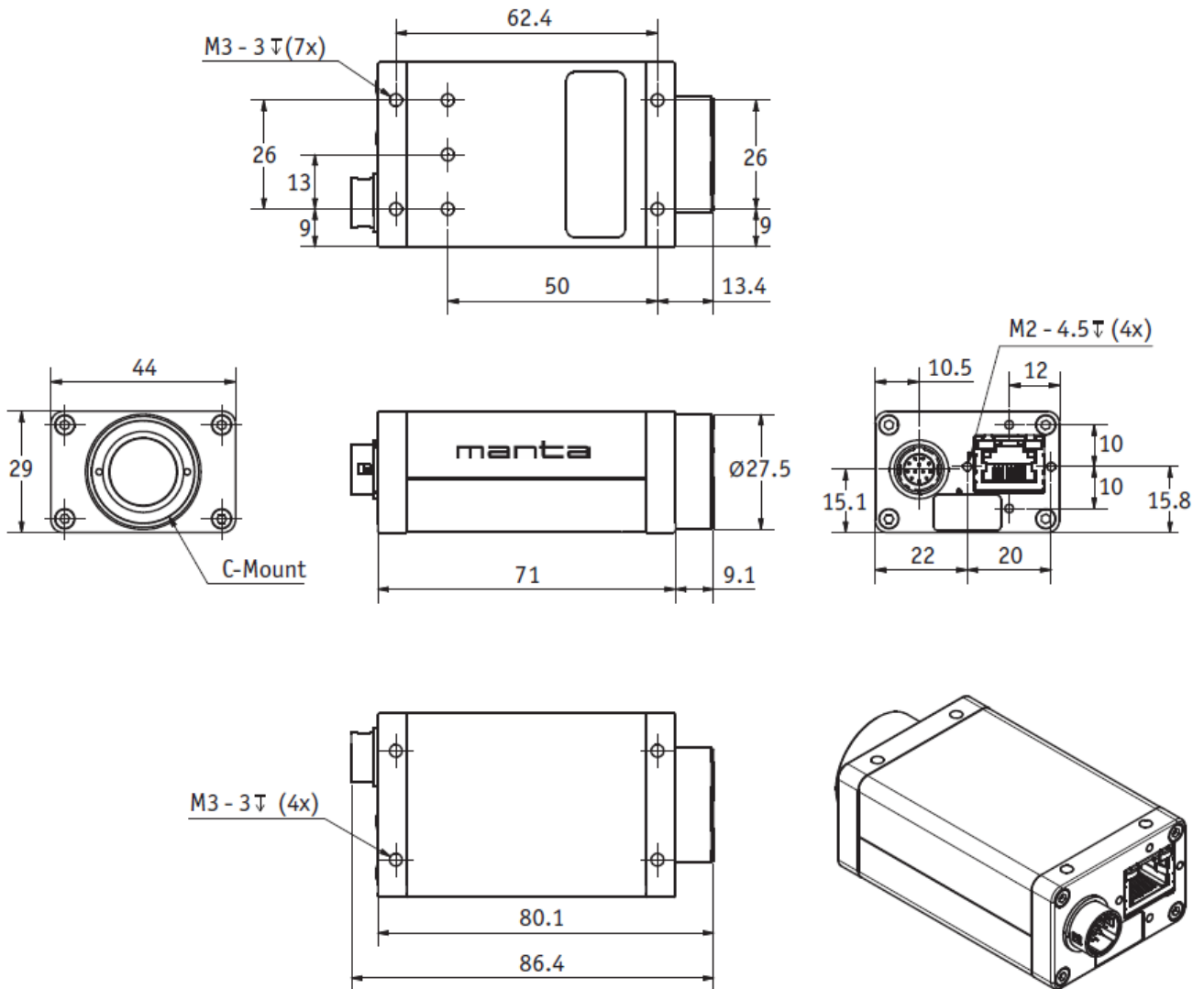
Notices

* To improve the display on the monitor, the resolution is adjusted to common monitor resolutions.

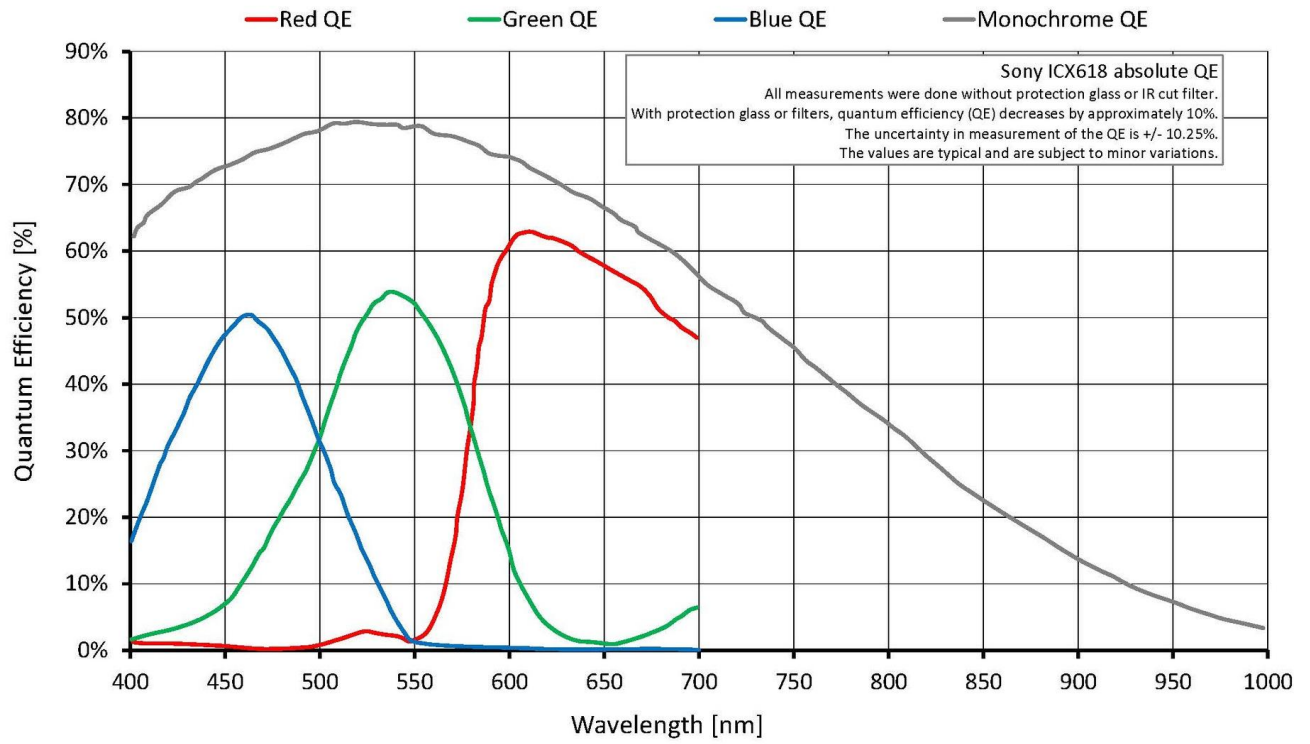
Accessories for Cameras for Multi-Camera Systems - Manta G-031B PoE

Order number	Title	Description
Ethernet Cables		
4-44-182	GigE cable, CAT.6, DC, 3m	RJ45/RJ45, 1 x screw lock, drag chain capable, for GigE Vision cameras
4-44-192	GigE cable, CAT.6, T, 3m	RJ45/RJ45, 1 x screw lock, torsion-capable: $\pm 180^\circ/\text{m}$, for GigE Vision cameras
4-44-186	GigE cable, CAT.6, 3m, 90°d	RJ45/RJ45, 90° angled downwards, in tight spaces, for GigE Vision cameras
4-44-189	GigE cable, CAT.6, 3m, 90°u	RJ45/RJ45, 90° angled upwards, in tight spaces, for GigE Vision cameras
4-44-183	GigE cable, CAT.6, DC, 5m	RJ45/RJ45, 1 x screw lock, drag chain capable, for GigE Vision cameras
4-44-193	GigE cable, CAT.6, T, 5m	RJ45/RJ45, 1 x screw lock, torsion-capable: $\pm 180^\circ/\text{m}$, for GigE Vision cameras
4-44-187	GigE cable, CAT.6, 5m, 90°d	RJ45/RJ45, 90° angled downwards, in tight spaces, for GigE Vision cameras
4-44-190	GigE cable, CAT.6, 5m, 90°u	RJ45/RJ45, 90° angled upwards, in tight spaces, for GigE Vision cameras
4-44-184	GigE cable, CAT.6, DC, 10m	RJ45/RJ45, 1 x screw lock, drag chain capable, for GigE Vision cameras
4-44-194	GigE cable, CAT.6, T, 10m	RJ45/RJ45, 1 x screw lock, torsion-capable: $\pm 180^\circ/\text{m}$, for GigE Vision cameras
4-44-188	GigE cable, CAT.6, 10m, 90°d	RJ45/RJ45, 90° angled downwards, in tight spaces, for GigE Vision cameras
4-44-191	GigE cable, CAT.6, 10m, 90°u	RJ45/RJ45, 90° angled upwards, in tight spaces, for GigE Vision cameras
4-44-185	GigE cable, CAT.6, DC, 25m	RJ45/RJ45, 1 x screw lock, drag chain capable, for GigE Vision cameras
4-40-120	GigE cabel, CAT.6a, 3m	RJ45/RJ45, 1200 MHz, grey, for GigE Vision cameras
PLC-Power Cables		
4-44-197	PLC-power cable, 12p, DC, 5m	HR10A-10P-12S, plug with socket contacts to open cable end, drag chain capable
4-44-198	PLC-power cable, 12p, DC, 10m	HR10A-10P-12S, plug with socket contacts to open cable end, drag chain capable

Drawings



Dimensional drawing in mm



Quantum Efficiency