
Camera for vicosys[®] - GV-51J0SE-C-HQ Rev.4.2

Short description: GigE-Camera, color, C-Mount, 8 MP, 2,856 x 2,848 Pixel, 2/3"

Order number: 3-12-863



Characteristics

- GigE area scan camera for industrial applications
 - 2/3" sensor with resolution of 2,856 x 2,848 (color)
 - industrial GigE Vision interface with Power over Ethernet
 - compact standard housing (58 mm x 44 mm x 47 mm) with class IP30
 - compatible with C-Mount lenses
-

Technical data

Sensor Specification

Sensor name	Sony IMX546
Spectrum	VIS (color)
Shutter technology	Global Shutter
Sensor format	2/3"
Sensor diagonal [mm]	11.18
Total resolution [Pixel]	2,856 x 2,848
Total pixel [MP]	8
Pixel size [µm]	2.74
Sensor technology	Pregius S
Sensor alternatives (same technology)	IMX530 (UV optimized), IMX546 (more FPS)

Camera Specification

Family	IDS SE-Serie
Type	Areascan Camera
LAN speed [MBit/s]	1000
Protection class	IP30
Frame rate [fps]	15

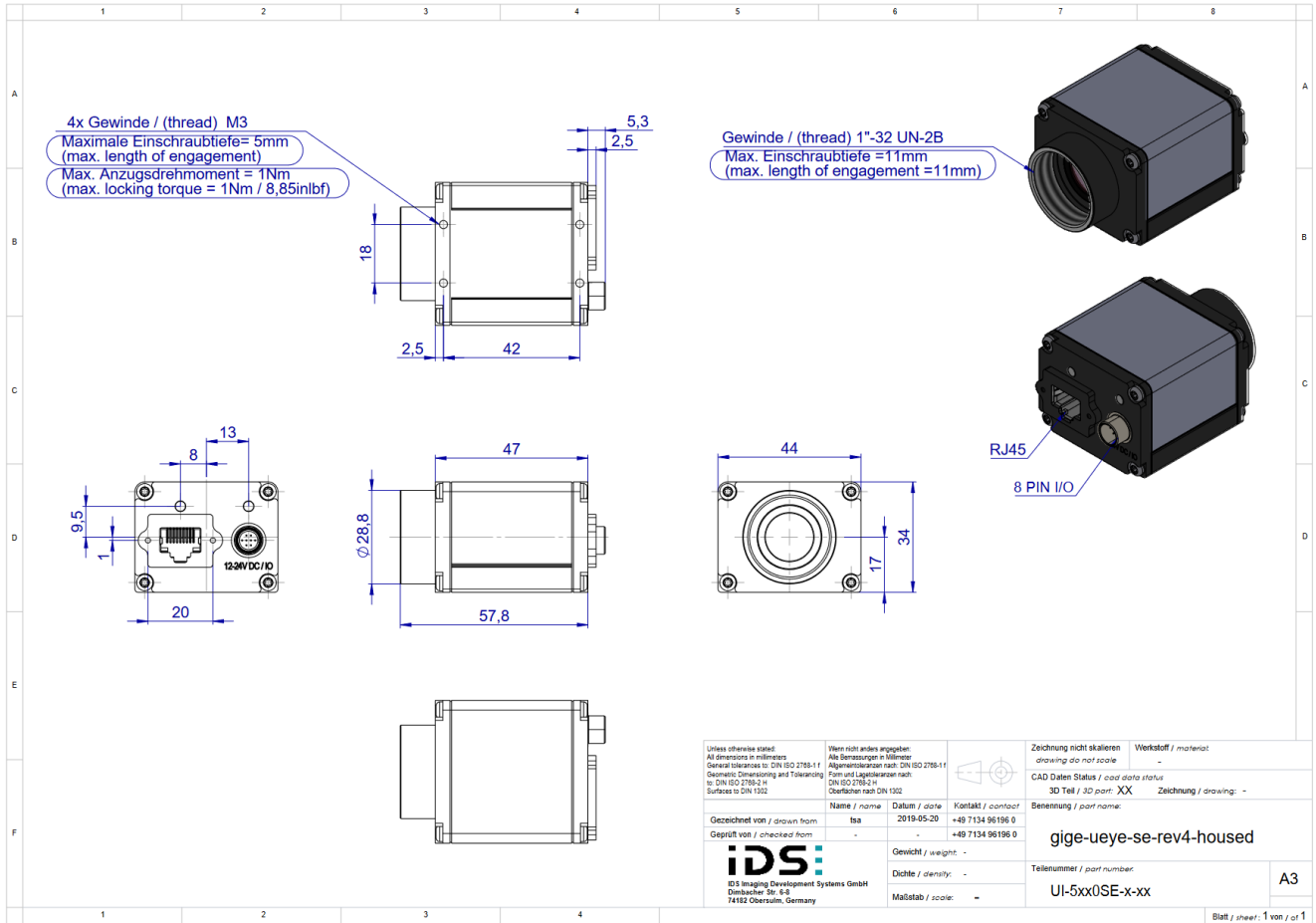
General Information

POE	Yes
Lens Mount	C-Mount
Weight [g]	95
Housing dimensions	58 mm x 47 mm x 44 mm

Accessories for Cameras for Multi-Camera Systems - GV-51J0SE-C-HQ Rev.4.2

Order number	Title	Description
<i>POE Injector</i>		
4-40-341	POE-TI-IG30	POE injector for all Gigabit Ethernet Cameras
<i>Ethernet Cables for Cameras</i>		
4-40-347	Ethernet-Kabel-RJ45-IDS-15m	Ethernet Cable for CP and SE Series, 15m
4-40-370	Ethernet-Kabel-RJ45-IDS-5m	Ethernet Cable for CP and SE Series, 5m
4-40-351	Ethernet-Kabel-RJ45-S-IDS-10m	Ethernet Cable for CP and SE Series, 10m
4-40-356	Ethernet-Kabel-RJ45-S-IDS-5m	Ethernet Cable for CP and SE Series, 5m
4-40-349	Ethernet-RJ45-NS-IDS-D-5m	Ethernet Cable for CP and SE Series, drag chain suitable, 5m
4-40-378	Ethernet-RJ45-S-IDS-D-10m	Ethernet Cable for CP, SE and WARP10 Series, drag chain suitable, 10m
4-40-354	Ethernet-RJ45-SF-UTP-IDS-10m	Ethernet Cable for CP and SE Series, 10m
4-40-350	Ethernet-RJ45-Schraub-IDS-D-5m	Ethernet Cable for CP, SE and WARP10 Series, drag chain suitable, 5m,
<i>Power Supply</i>		
4-40-373	POE-Injektor-IDS	POE-Injektor for IDS Cameras
<i>Trigger Cables</i>		
4-40-374	Power-Kabel-HR25-IDS-5m	Power Cable for CP- and SE Series, 5m, shielded
4-40-345	SPS-Power-Kabel-HR25-IDS-D-5m	I/O Cable for CP and SE Series, for drag chain, All Signals Connected, 5m
4-40-346	SPS-Power-Kabel-HR25-IDS-8m	I/O Cable for CP and SE Series, All Signals Connected, 8m
4-40-372	SPS-Power-Kabel-HR25-IDS-10m	I/O Cable for CP and SE Series, All Signals Connected, 10m
4-40-377	Trigger-Kabel-HR25-IDS-5m	Trigger Cable for CP and SE Series, 10m

Drawings



Dimensional drawing in mm