
Camera for vicosys® - GV-5990FA-C-HQ Rev.1.2

Short description: GigE-Camera, color, C-Mount, 20 MP, 4,512 x 4,512 Pixel, 1.1"

Order number: 3-12-818



Characteristics

- GigE area scan camera for industrial applications
 - 1.1" sensor with resolution of 4,512 x 4,512 (color)
 - industrial GigE Vision interface with Power over Ethernet
 - Dustproof and protected against jet water from any angle (IP65) as well as temporary immersion (IP67)
 - compatible with C-Mount lenses
-

Technical data

Sensor Specification

Sensor name	Sony IMX541
Spectrum	VIS (color)
Shutter technology	Global Shutter
Sensor format	1,1"
Sensor diagonal [mm]	17.61
Total resolution [Pixel]	4,512 x 4,512
Total pixel [MP]	20
Pixel size [μm]	2.74
Sensor technology	Pregius S

Camera Specification

Family	IDS FA-Serie
Type	Areascan Camera
LAN speed [MBit/s]	1000
Protection class	IP65/67
Frame rate [fps]	5.5

General Information

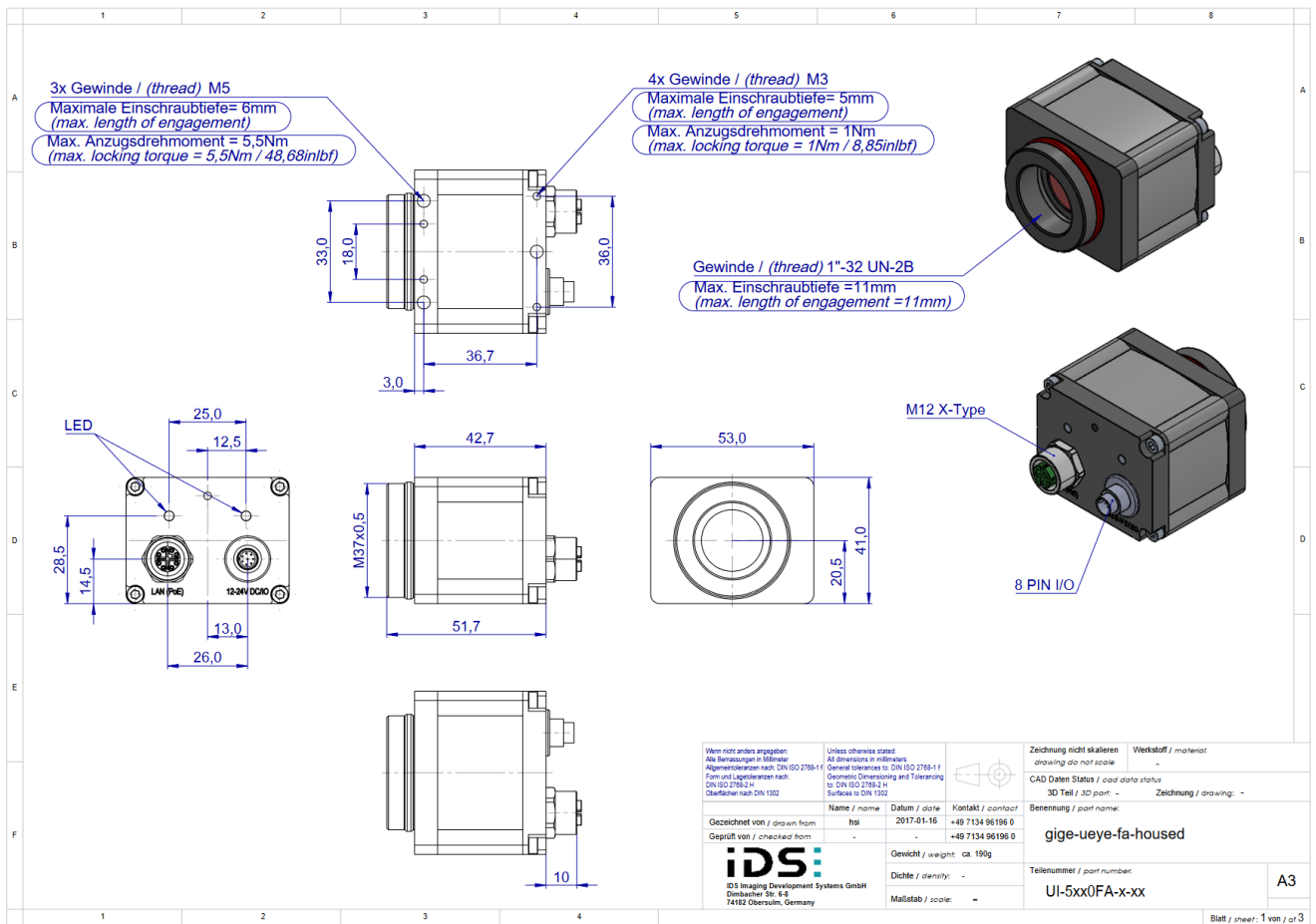
POE	yes
Lens Mount	C-Mount
Weight [g]	173
Housing dimensions	53 mm x 41 mm x 43 mm

Accessories for Cameras for Multi-Camera Systems - GV-5990FA-C-HQ Rev.1.2

Order number	Title	Description
Enclosures		
4-40-364	Objektivtubus-65-70-IDS	IP67 Lens Protecting Housing for FA Cameras, Lens Diameter max. 64mm
4-40-355	Schutzkappe-M9-IDS	Protective Cap for IO-Socket of FA Series
4-40-359	Objektivtubus-97-70-IDS	IP67 Lens Protecting Housing for FA Cameras, Lens Diameter max. 64mm
4-40-358	Objektivtubus-77-70-IDS	IP67 Lens Protecting Housing for FA Cameras, Lens Diameter max. 64mm
4-40-363	Objektivtubus-77-41-IDS	IP67 Lens Protecting Housing for FA Cameras, Lens Diameter max. 35mm
4-40-361	Objektivtubus-64-41-IDS	IP67 Lens Protecting Housing for FA Cameras, Lens Diameter max. 35mm
4-40-362	Objektivtubus-51-41-IDS	IP67 Lens Protecting Housing for FA Cameras, Lens Diameter max. 35mm
4-40-360	Flansch-70-IP-IDS	Lens tube adapter for FA Series, Outer diameter 70 mm
Trigger Cables		
4-40-348	Y-SPS-Power-Kabel-8P-IDS-0.5m	Y-Cable for I\Os and Power of FA Series, Power and Strobe seperated, 0.5m
4-40-371	SPS-Power-Kabel-Bi-IDS-D-5m	I\O Cable for FA Series of IDS, drag chain suitable, 5m
4-40-365	SPS-Power-Kabel-Bi-IDS-D-10m	I\O Cable for FA Series of IDS, drag chain suitable, 10m
4-40-380	SPS-Power-Kabel-Binder-IDS-5m	I\O Cable for FA Series of IDS, 5m
4-40-379	SPS-Power-Kabel-Binder-IDS-10m	I\O Cable for FA Series of IDS, 10m
Mounting Plates		
4-40-353	Tripod-Mount-FA-IDS	FA Mounting Plate
Power Supply		
4-40-373	POE-Injektor-IDS	POE-Injector for IDS Cameras
POE Injector		

Order number	Title	Description
4-40-341	POE-TI-IG30	POE injector for all Gigabit Ethernet Cameras
<i>Ethernet Cables for Cameras</i>		
4-40-381	Ethernet-M12-RJ45-IDS-D-15m	Ethernet Cable for FA Series of IDS, drag chain suitable, 15m
4-40-343	Ethernet-M12-RJ45-IDS-D-5m	Ethernet Cable for FA Series of IDS, drag chain suitable, 5m
4-40-344	Ethernet-M12-RJ45-IDS-D-3m	Ethernet Cable for FA Series of IDS, drag chain suitable, 3m
4-40-342	Ethernet-M12-RJ45-IDS-D-10m	Ethernet Cable for FA Series of IDS, drag chain suitable, 10m
4-40-375	Ethernet-Kabel-M12-IDS-5m	Ethernet Cable for FA Series of IDS, 5m
4-40-369	Ethernet-Kabel-M12-IDS-15m	Ethernet Cable for FA Series of IDS, 15m
4-40-376	Ethernet-Kabel-M12-IDS-10m	Ethernet Cable for FA Series of IDS, 10m

Drawings



Dimensional drawing in mm