
Camera for vicosys[®] - GV-5080FA-P-GL Rev.1.2

Short description: GigE-Camera, polarization, C-Mount, 5 MP,
2,448 x 2,048 Pixel, 2/3"

Order number: 3-12-799



Characteristics

- GigE area scan camera for industrial applications
 - 2/3" sensor with resolution of 2,448 x 2,048 (polarization)
 - industrial GigE Vision interface with Power over Ethernet
 - Dustproof and protected against jet water from any angle (IP65) as well as temporary immersion (IP67)
 - compatible with C-Mount lenses
-

Technical data

Sensor Specification

Sensor name	Sony IMX250
Spectrum	VIS (polarization)
Shutter technology	Global Shutter
Sensor format	2/3"
Sensor diagonal [mm]	11.01
Total resolution [Pixel]	2,448 x 2,048
Total pixel [MP]	5
Pixel size [μm]	3.45
Sensor technology	Pregius (2. Gen)
Sensor alternatives (same technology)	IMX264 (less FPS)

Camera Specification

Family	IDS FA-Serie
Type	Areascan Camera
LAN speed [MBit/s]	1000
Protection class	IP65/67
Frame rate [fps]	24

General Information

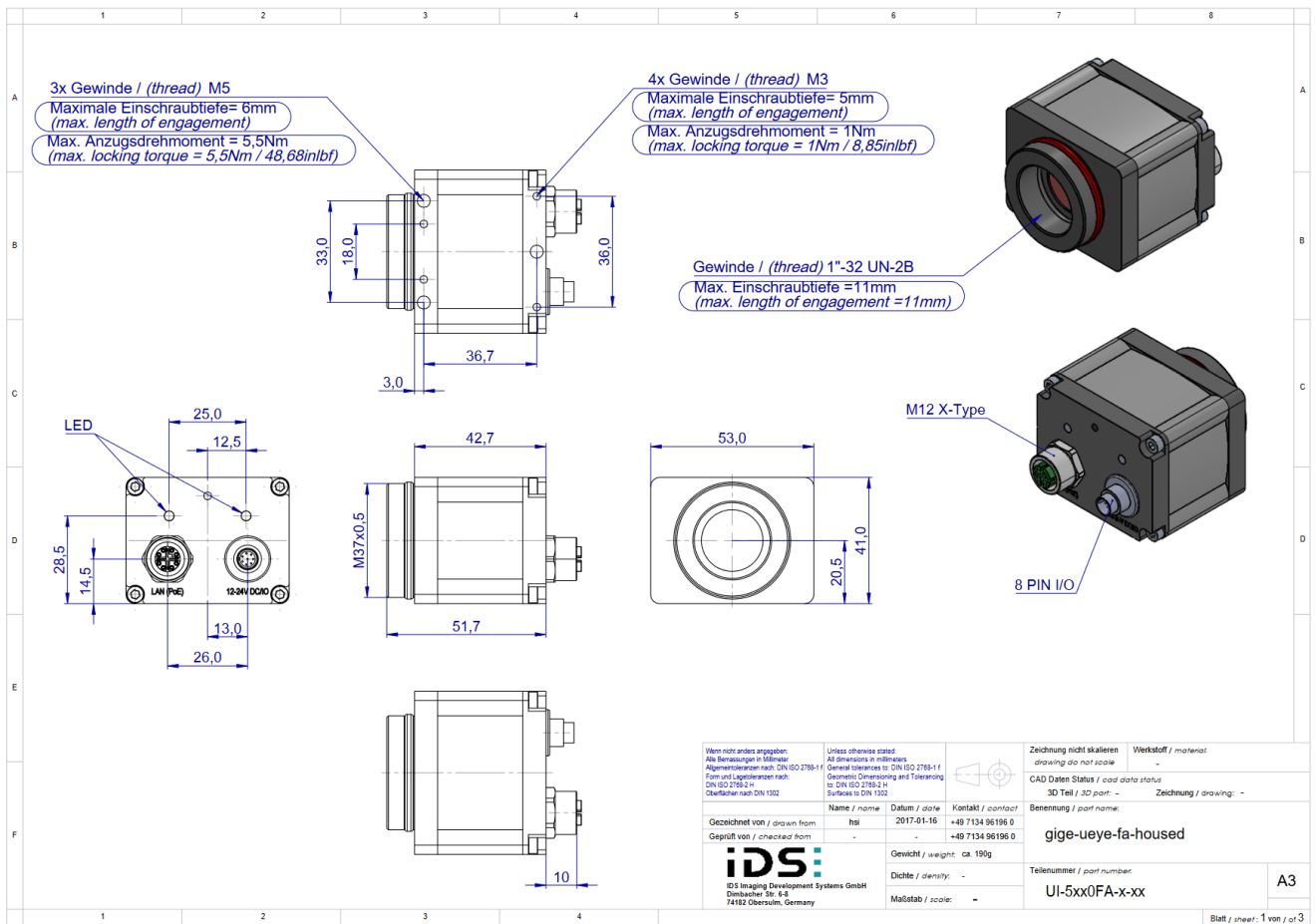
POE	Yes
Lens Mount	C-Mount
Weight [g]	174
Housing dimensions	53 mm x 41 mm x 43 mm

Accessories for Cameras for Multi-Camera Systems - GV-5080FA-P-GL Rev.1.2

Order number	Title	Description
Enclosures		
4-40-364	Objektivtubus-65-70-IDS	IP67 Lens Protecting Housing for FA Cameras, Lens Diameter max. 64mm
4-40-355	Schutzkappe-M9-IDS	Protective Cap for IO-Socket of FA Series
4-40-359	Objektivtubus-97-70-IDS	IP67 Lens Protecting Housing for FA Cameras, Lens Diameter max. 64mm
4-40-358	Objektivtubus-77-70-IDS	IP67 Lens Protecting Housing for FA Cameras, Lens Diameter max. 64mm
4-40-363	Objektivtubus-77-41-IDS	IP67 Lens Protecting Housing for FA Cameras, Lens Diameter max. 35mm
4-40-361	Objektivtubus-64-41-IDS	IP67 Lens Protecting Housing for FA Cameras, Lens Diameter max. 35mm
4-40-362	Objektivtubus-51-41-IDS	IP67 Lens Protecting Housing for FA Cameras, Lens Diameter max. 35mm
4-40-360	Flansch-70-IP-IDS	Lens tube adapter for FA Series, Outer diameter 70 mm
Trigger Cables		
4-40-348	Y-SPS-Power-Kabel-8P-IDS-0.5m	Y-Cable for I\Os and Power of FA Series, Power and Strobe seperated, 0.5m
4-40-371	SPS-Power-Kabel-Bi-IDS-D-5m	I\O Cable for FA Series of IDS, drag chain suitable, 5m
4-40-365	SPS-Power-Kabel-Bi-IDS-D-10m	I\O Cable for FA Series of IDS, drag chain suitable, 10m
4-40-380	SPS-Power-Kabel-Binder-IDS-5m	I\O Cable for FA Series of IDS, 5m
4-40-379	SPS-Power-Kabel-Binder-IDS-10m	I\O Cable for FA Series of IDS, 10m
Mounting Plates		
4-40-353	Tripod-Mount-FA-IDS	FA Mounting Plate
Power Supply		
4-40-373	POE-Injektor-IDS	POE-Injector for IDS Cameras
POE Injector		

Order number	Title	Description
4-40-341	POE-TI-IG30	POE injector for all Gigabit Ethernet Cameras
<i>Ethernet Cables for Cameras</i>		
4-40-381	Ethernet-M12-RJ45-IDS-D-15m	Ethernet Cable for FA Series of IDS, drag chain suitable, 15m
4-40-343	Ethernet-M12-RJ45-IDS-D-5m	Ethernet Cable for FA Series of IDS, drag chain suitable, 5m
4-40-344	Ethernet-M12-RJ45-IDS-D-3m	Ethernet Cable for FA Series of IDS, drag chain suitable, 3m
4-40-342	Ethernet-M12-RJ45-IDS-D-10m	Ethernet Cable for FA Series of IDS, drag chain suitable, 10m
4-40-375	Ethernet-Kabel-M12-IDS-5m	Ethernet Cable for FA Series of IDS, 5m
4-40-369	Ethernet-Kabel-M12-IDS-15m	Ethernet Cable for FA Series of IDS, 15m
4-40-376	Ethernet-Kabel-M12-IDS-10m	Ethernet Cable for FA Series of IDS, 10m

Drawings



Dimensional drawing in mm