

---

## Camera for vicosys<sup>®</sup> - GV-5240FA-C-HQ Rev.1.2

---

**Short description:** GigE-Camera, color, C-Mount, 1.3 MP, 1,280 x 1,024 Pixel, 1/1.8"

**Order number:** 3-12-787



---

### Characteristics

- GigE area scan camera for industrial applications
  - 1/1.8" sensor with resolution of 1,280 x 1,024 (color)
  - industrial GigE Vision interface with Power over Ethernet
  - Dustproof and protected against jet water from any angle (IP65) as well as temporary immersion (IP67)
  - compatible with C-Mount lenses
-

---

## Technical data

---

### Sensor Specification

---

Sensor name	Teledyne/e2v EV76C560
Spectrum	VIS (color)
Shutter technology	Global Shutter
Sensor format	1/1,8"
Sensor diagonal [mm]	8.69
Total resolution [Pixel]	1,280 x 1,024
Total pixel [MP]	1.3
Pixel size [ $\mu\text{m}$ ]	5.3
Sensor technology	Sapphire

---

### Camera Specification

---

Family	IDS FA-Serie
Type	Areascan Camera
LAN speed [MBit/s]	1000
Protection class	IP65/67
Frame rate [fps]	59

---

### General Information

---

POE	Yes
Lens Mount	C-Mount
Weight [g]	173
Housing dimensions	53 mm x 41 mm x 43 mm

---

## Accessories for Cameras for Multi-Camera Systems - GV-5240FA-C-HQ Rev.1.2

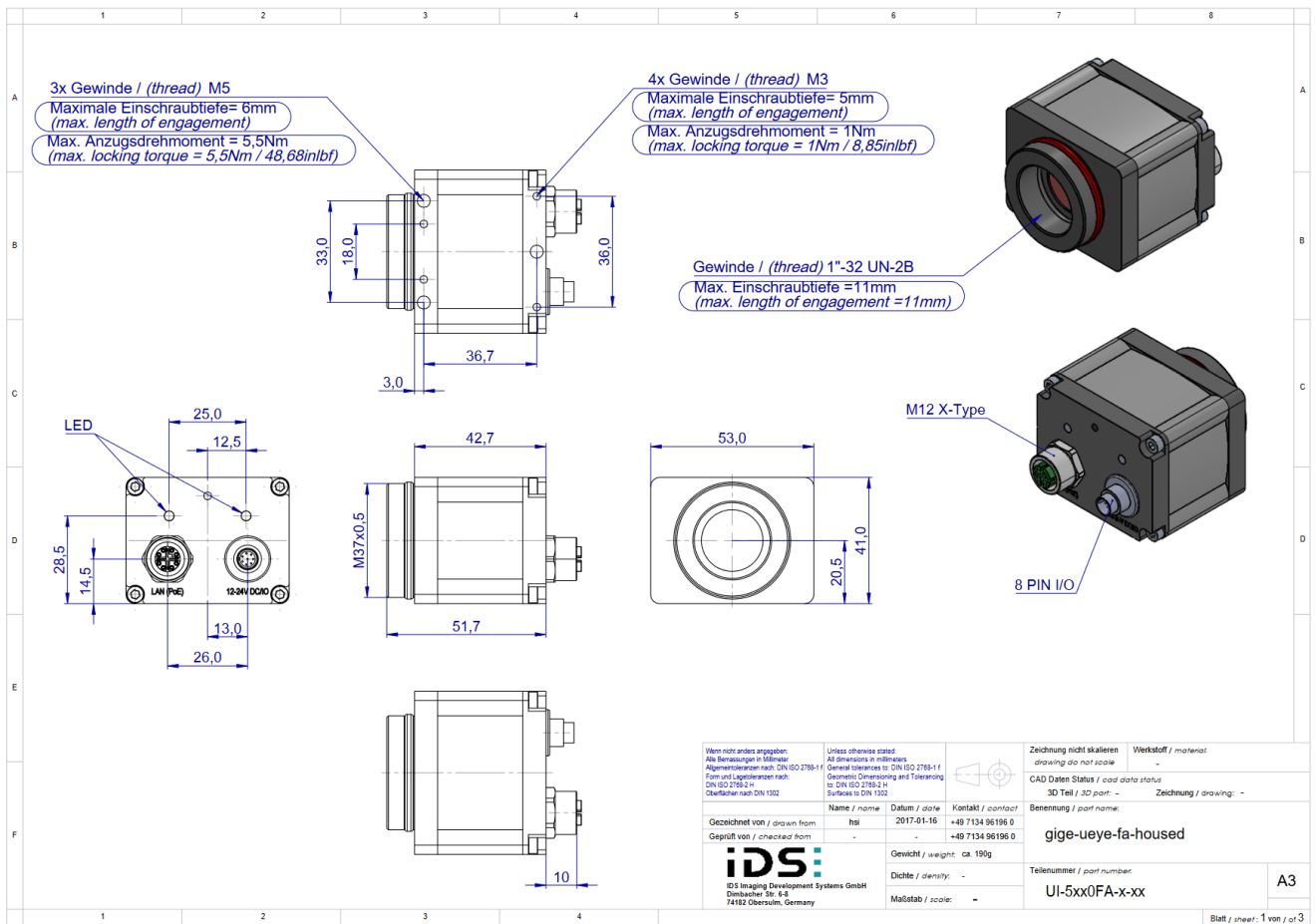
Order number	Title	Description
<b>Enclosures</b>		
4-40-364	Objektivtubus-65-70-IDS	IP67 Lens Protecting Housing for FA Cameras, Lens Diameter max. 64mm
4-40-355	Schutzkappe-M9-IDS	Protective Cap for IO-Socket of FA Series
4-40-359	Objektivtubus-97-70-IDS	IP67 Lens Protecting Housing for FA Cameras, Lens Diameter max. 64mm
4-40-358	Objektivtubus-77-70-IDS	IP67 Lens Protecting Housing for FA Cameras, Lens Diameter max. 64mm
4-40-363	Objektivtubus-77-41-IDS	IP67 Lens Protecting Housing for FA Cameras, Lens Diameter max. 35mm
4-40-361	Objektivtubus-64-41-IDS	IP67 Lens Protecting Housing for FA Cameras, Lens Diameter max. 35mm
4-40-362	Objektivtubus-51-41-IDS	IP67 Lens Protecting Housing for FA Cameras, Lens Diameter max. 35mm
4-40-360	Flansch-70-IP-IDS	Lens tube adapter for FA Series, Outer diameter 70 mm
<b>Trigger Cables</b>		
4-40-348	Y-SPS-Power-Kabel-8P-IDS-0.5m	Y-Cable for I\Os and Power of FA Series, Power and Strobe seperated, 0.5m
4-40-371	SPS-Power-Kabel-Bi-IDS-D-5m	I\O Cable for FA Series of IDS, drag chain suitable, 5m
4-40-365	SPS-Power-Kabel-Bi-IDS-D-10m	I\O Cable for FA Series of IDS, drag chain suitable, 10m
4-40-380	SPS-Power-Kabel-Binder-IDS-5m	I\O Cable for FA Series of IDS, 5m
4-40-379	SPS-Power-Kabel-Binder-IDS-10m	I\O Cable for FA Series of IDS, 10m
<b>Mounting Plates</b>		
4-40-353	Tripod-Mount-FA-IDS	FA Mounting Plate
<b>Power Supply</b>		
4-40-373	POE-Injektor-IDS	POE-Injector for IDS Cameras
<b>POE Injector</b>		

---

<b>Order number</b>	<b>Title</b>	<b>Description</b>
4-40-341	POE-TI-IG30	POE injector for all Gigabit Ethernet Cameras
<b><i>Ethernet Cables for Cameras</i></b>		
4-40-381	Ethernet-M12-RJ45-IDS-D-15m	Ethernet Cable for FA Series of IDS, drag chain suitable, 15m
4-40-343	Ethernet-M12-RJ45-IDS-D-5m	Ethernet Cable for FA Series of IDS, drag chain suitable, 5m
4-40-344	Ethernet-M12-RJ45-IDS-D-3m	Ethernet Cable for FA Series of IDS, drag chain suitable, 3m
4-40-342	Ethernet-M12-RJ45-IDS-D-10m	Ethernet Cable for FA Series of IDS, drag chain suitable, 10m
4-40-375	Ethernet-Kabel-M12-IDS-5m	Ethernet Cable for FA Series of IDS, 5m
4-40-369	Ethernet-Kabel-M12-IDS-15m	Ethernet Cable for FA Series of IDS, 15m
4-40-376	Ethernet-Kabel-M12-IDS-10m	Ethernet Cable for FA Series of IDS, 10m

---

## Drawings



Dimensional drawing in mm