
Camera for vicosys® - Alvium G1-811c color C-Mount

Short description: GigE-Camera, color, C-Mount, 8.1 MP, 2,848 x 2,848 Pixel, 2/3"

Order number: 3-12-639



Characteristics

- GigE area scan camera for industrial applications
 - 2/3" sensor with resolution of 2,848 x 2,848 (color)
 - industrial GigE Vision interface with Power over Ethernet
 - Housing (41 mm x 29 mm x 29 mm) for extended temperature range with up to 65°C and protection class IP30
 - compatible with C-Mount lenses
-

Technical data

Sensor Specification

Sensor name	Sony IMX546
Spectrum	VIS (color)
Shutter technology	Global Shutter
Sensor format	2/3"
Sensor diagonal [mm]	11.18
Total resolution[Pixel]	2,848 x 2,848
Total pixel [MP]	8.1
Pixel size [µm]	2.74
Sensor technology	Pregius S
Sensor alternatives (same technology)	IMX530 (UV optimized), IMX546 (more FPS)

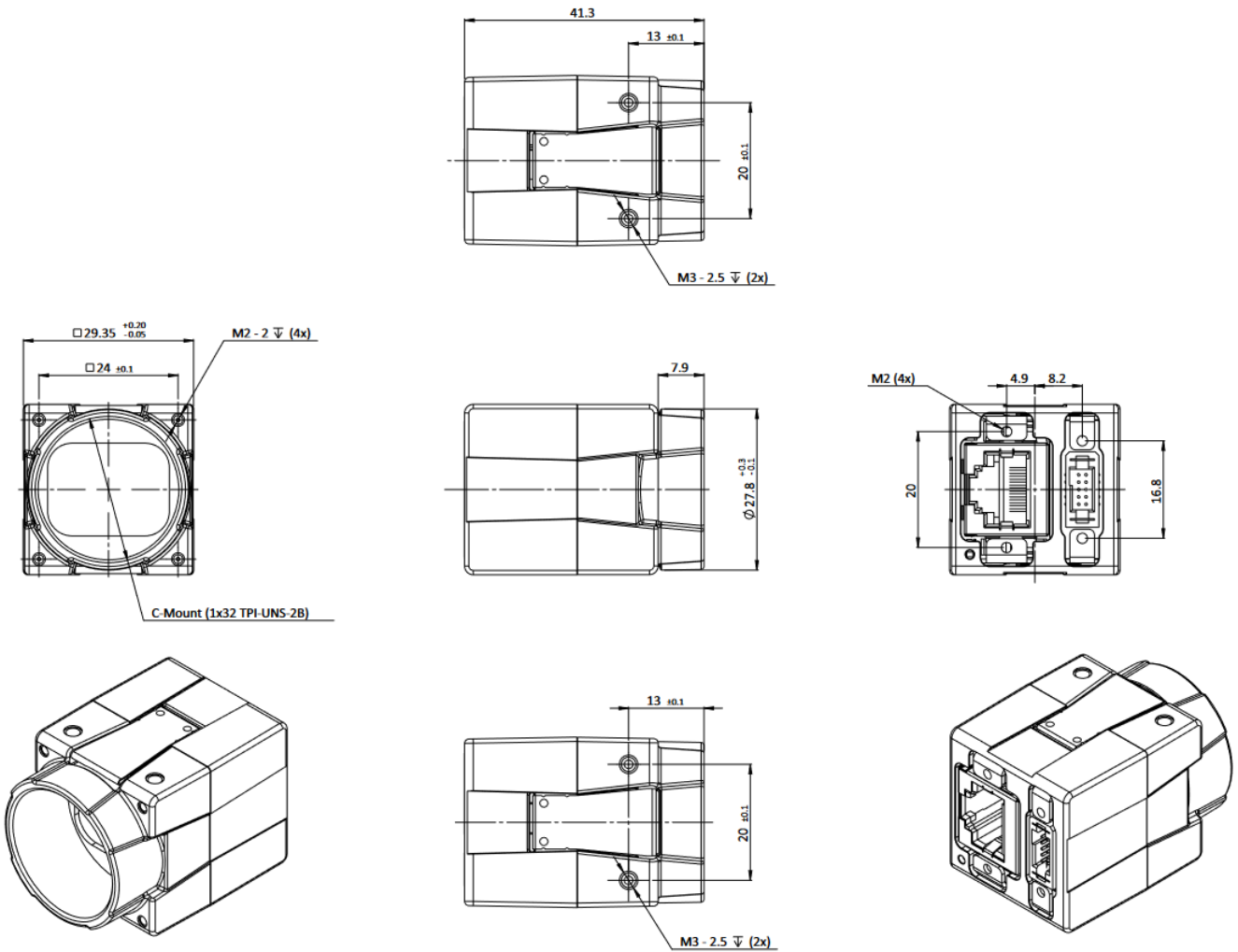
Camera Specification

Family	Allied Vision Alvium GigE
Protocol	GigE-Vision
Type	Areascan Camera
IR blocking filter	yes
LAN speed [MBit/s]	1000
Protection class	IP30
Frame rate [fps]	63

General Information

POE	yes
Lens Mount	C-Mount
Weight [g]	65
Housing dimensions	41 mm x 29 mm x 29 mm

Drawings



Dimensional drawing in mm