

Camera for Multi-Camera Systems - BFS-PGE-88S6C-C PoE

Short description: PoE - Gigabit Ethernet Camera 1" CMOS,
4096x2160, 14fps, colour, global shutter

Order number: 3-12-536



Characteristics

- ultra-compact GigE area scan camera for industrial applications
 - 1" CMOS colour sensor with 8.8 megapixel resolution
 - industrial GigE Vision interface with Power over Ethernet
 - RJ45 Ethernet connection with screw connector for safe operation
 - C-mount lens connection
-

Technical data

Sensor Data

Sensor name	Sony IMX267LQR Exmor
Chroma	Colour
Sensor technology	CMOS
Readout method	Global Shutter
Sensorformat	1"
Sensor diagonal	16.0 mm
Resolution total	4096 x 2160
Number of pixel	8.8 MPixel
Pixel size	3.45 μm x 3.45 μm
Frame rate	14 fps
Shutter (exposure time)	22 μs ... 30 s
Gain control	0 dB ... 47 dB
Dynamic range	71.57 dB

Camera Data

Family	Flir - Blackfly®S
Type	GigE Vision area scan camera
Interfaces	GigE Vision with PoE opto-decoupled I/Os 1x IN, 1x OUT

General Data

Power requirements	Power over Ethernet (PoE) 8 V - 24 VDC AUX (6-pin Hirose)
Power consumption	3.0 W (PoE); 2.8 W (at 12 VDC)
Lens mount	C-Mount
Dimensions	29 mm x 29 mm x 30 mm
Weight	36 g

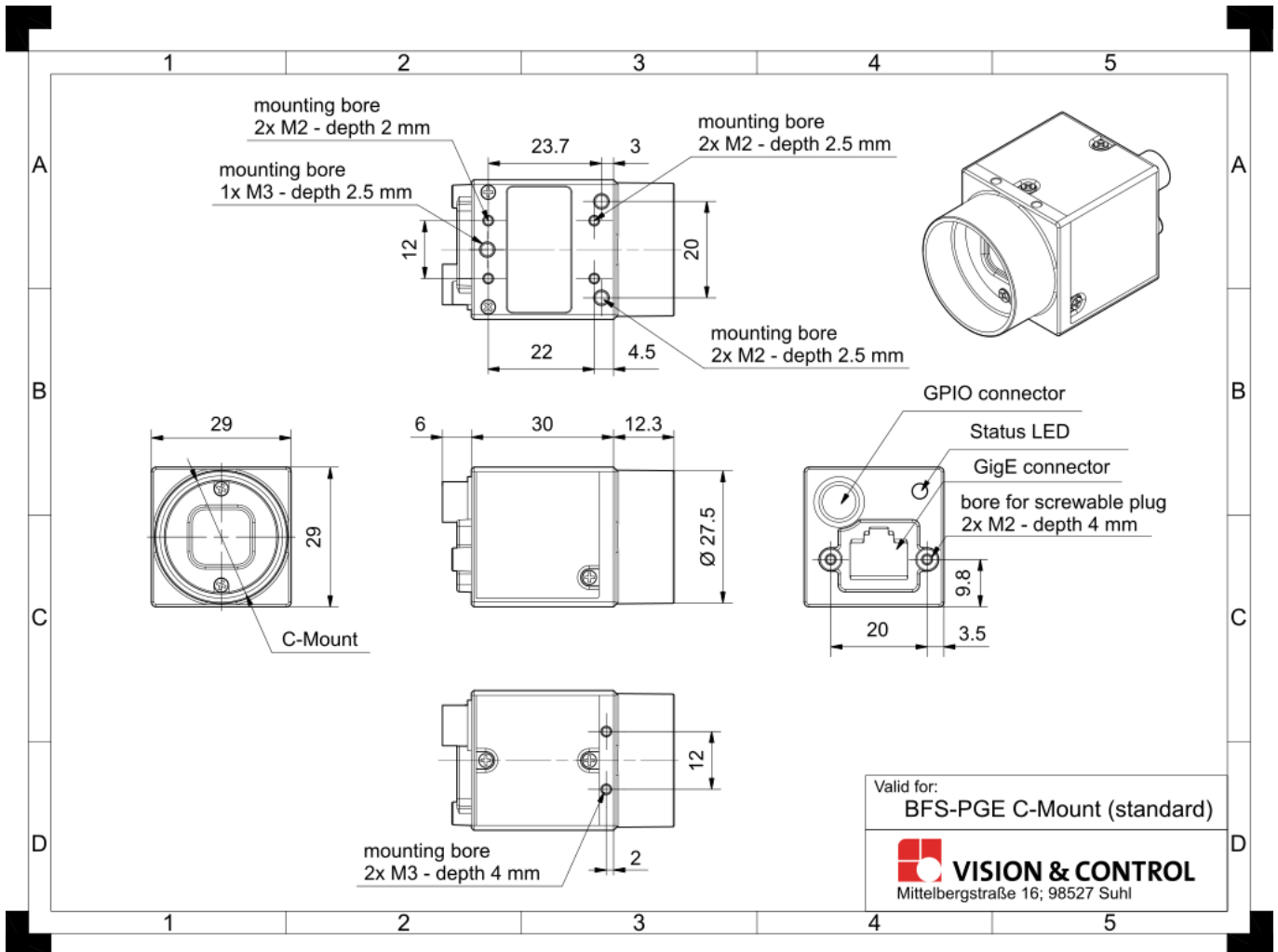
Operating temperature

0 °C ... 50 °C

Accessories for Cameras for Multi-Camera Systems - BFS-PGE-88S6C-C PoE

Order number	Title	Description
Ethernet Cables		
4-40-120	GigE cabel, CAT.6a, 3m	RJ45/RJ45, 1200 MHz, grey, for GigE Vision cameras
4-44-186	GigE cable, CAT.6, 3m, 90°d	RJ45/RJ45, 90° angled downwards, in tight spaces, for GigE Vision cameras
4-44-188	GigE cable, CAT.6, 10m, 90°d	RJ45/RJ45, 90° angled downwards, in tight spaces, for GigE Vision cameras
4-44-189	GigE cable, CAT.6, 3m, 90°u	RJ45/RJ45, 90° angled upwards, in tight spaces, for GigE Vision cameras
4-44-194	GigE cable, CAT.6, T, 10m	RJ45/RJ45, 1 x screw lock, torsion-capable: $\pm 180^\circ/m$, for GigE Vision cameras
4-44-182	GigE cable, CAT.6, DC, 3m	RJ45/RJ45, 1 x screw lock, drag chain capable, for GigE Vision cameras
4-44-183	GigE cable, CAT.6, DC, 5m	RJ45/RJ45, 1 x screw lock, drag chain capable, for GigE Vision cameras
4-44-184	GigE cable, CAT.6, DC, 10m	RJ45/RJ45, 1 x screw lock, drag chain capable, for GigE Vision cameras
4-44-185	GigE cable, CAT.6, DC, 25m	RJ45/RJ45, 1 x screw lock, drag chain capable, for GigE Vision cameras
4-44-187	GigE cable, CAT.6, 5m, 90°d	RJ45/RJ45, 90° angled downwards, in tight spaces, for GigE Vision cameras
4-44-190	GigE cable, CAT.6, 5m, 90°u	RJ45/RJ45, 90° angled upwards, in tight spaces, for GigE Vision cameras
4-44-191	GigE cable, CAT.6, 10m, 90°u	RJ45/RJ45, 90° angled upwards, in tight spaces, for GigE Vision cameras
4-44-192	GigE cable, CAT.6, T, 3m	RJ45/RJ45, 1 x screw lock, torsion-capable: $\pm 180^\circ/m$, for GigE Vision cameras
4-44-193	GigE cable, CAT.6, T, 5m	RJ45/RJ45, 1 x screw lock, torsion-capable: $\pm 180^\circ/m$, for GigE Vision cameras
PLC-Power Cables		
4-44-199	PLC-power cable, 6p, DC, 5m	HR10A-7P-6S, plug with socket contacts to open cable end, drag chain capable
4-44-200	PLC-power cable, 6p, DC, 10m	HR10A-7P-6S, plug with socket contacts to open cable end, drag chain capable

Drawings



Dimensional drawing in mm