

## Camera for Multi-Camera Systems - BFS-PGE-50S5M-C PoE

---

**Short description:** PoE - Gigabit Ethernet Camera 2/3" CMOS, 2448x2048, 22fps, mono, global shutter

**Order number:** 3-12-533



---

### Characteristics

- ultra-compact GigE area scan camera for industrial applications
  - 2/3" CMOS monochrom sensor with 5 megapixel resolution
  - industrial GigE Vision interface with Power over Ethernet
  - RJ45 Ethernet connection with screw connector for safe operation
  - C-mount lens connection
-

---

## Technical data

### Sensor Data

Sensor name	Sony IMX264LLR Exmor
Chroma	Monochrome
Sensor technology	CMOS
Readout method	Global Shutter
Sensorformat	2/3"
Sensor diagonal	11.0 mm
Resolution total	2448 x 2048
Number of pixel	5.0 MPixel
Pixel size	3.45 $\mu\text{m}$ x 3.45 $\mu\text{m}$
Frame rate	22 fps
Shutter (exposure time)	13 $\mu\text{s}$ ... 30 s
Gain control	0 dB ... 48 dB
Dynamic range	71.01 dB

### Camera Data

Family	Flir - Blackfly <sup>®</sup> S
Type	GigE Vision area scan camera
Interfaces	GigE Vision with PoE opto-decoupled I/Os 1x IN, 1x OUT

### General Data

Power requirements	Power over Ethernet (PoE) 8 V - 24 VDC AUX (6-pin Hirose)
Power consumption	3.0 W (PoE); 2.8 W (at 12 VDC)
Lens mount	C-Mount
Dimensions	29 mm x 29 mm x 30 mm
Weight	36 g

---

---

Operating temperature

0 °C ... 50 °C

---

## Accessories for Cameras for Multi-Camera Systems - BFS-PGE-50S5M-C PoE

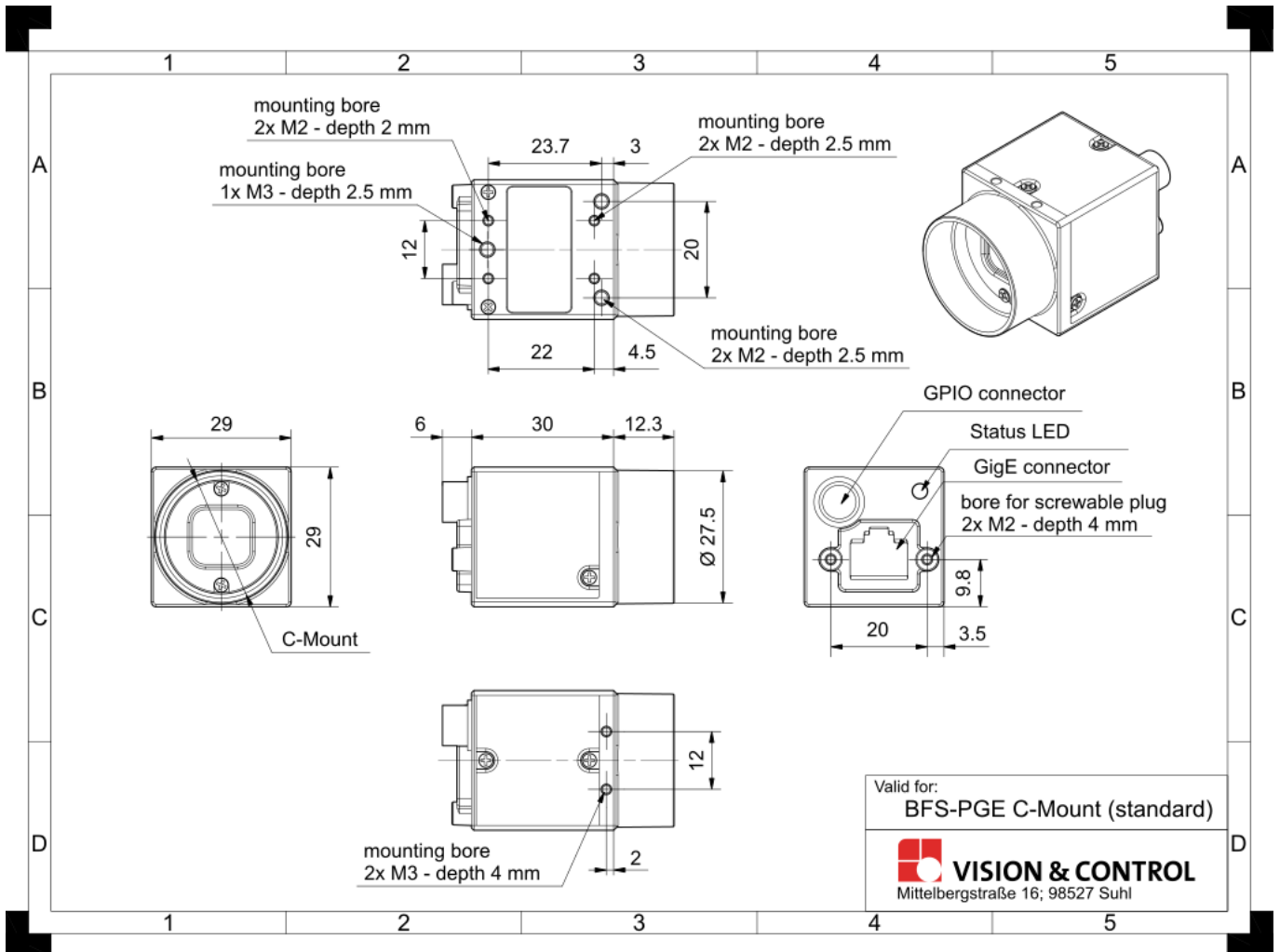
Order number	Title	Description
<b>Ethernet Cables</b>		
4-40-120	GigE cabel, CAT.6a, 3m	RJ45/RJ45, 1200 MHz, grey, for GigE Vision cameras
4-44-186	GigE cable, CAT.6, 3m, 90°d	RJ45/RJ45, 90° angled downwards, in tight spaces, for GigE Vision cameras
4-44-188	GigE cable, CAT.6, 10m, 90°d	RJ45/RJ45, 90° angled downwards, in tight spaces, for GigE Vision cameras
4-44-189	GigE cable, CAT.6, 3m, 90°u	RJ45/RJ45, 90° angled upwards, in tight spaces, for GigE Vision cameras
4-44-194	GigE cable, CAT.6, T, 10m	RJ45/RJ45, 1 x screw lock, torsion-capable: $\pm 180^\circ/m$ , for GigE Vision cameras
4-44-182	GigE cable, CAT.6, DC, 3m	RJ45/RJ45, 1 x screw lock, drag chain capable, for GigE Vision cameras
4-44-183	GigE cable, CAT.6, DC, 5m	RJ45/RJ45, 1 x screw lock, drag chain capable, for GigE Vision cameras
4-44-184	GigE cable, CAT.6, DC, 10m	RJ45/RJ45, 1 x screw lock, drag chain capable, for GigE Vision cameras
4-44-185	GigE cable, CAT.6, DC, 25m	RJ45/RJ45, 1 x screw lock, drag chain capable, for GigE Vision cameras
4-44-187	GigE cable, CAT.6, 5m, 90°d	RJ45/RJ45, 90° angled downwards, in tight spaces, for GigE Vision cameras
4-44-190	GigE cable, CAT.6, 5m, 90°u	RJ45/RJ45, 90° angled upwards, in tight spaces, for GigE Vision cameras
4-44-191	GigE cable, CAT.6, 10m, 90°u	RJ45/RJ45, 90° angled upwards, in tight spaces, for GigE Vision cameras
4-44-192	GigE cable, CAT.6, T, 3m	RJ45/RJ45, 1 x screw lock, torsion-capable: $\pm 180^\circ/m$ , for GigE Vision cameras
4-44-193	GigE cable, CAT.6, T, 5m	RJ45/RJ45, 1 x screw lock, torsion-capable: $\pm 180^\circ/m$ , for GigE Vision cameras
<b>PLC-Power Cables</b>		
4-44-199	PLC-power cable, 6p, DC, 5m	HR10A-7P-6S, plug with socket contacts to open cable end, drag chain capable

---

<b>Order number</b>	<b>Title</b>	<b>Description</b>
4-44-200	PLC-power cable, 6p, DC, 10m	HR10A-7P-6S, plug with socket contacts to open cable end, drag chain capable

---

## Drawings



Dimensional drawing in mm