

---

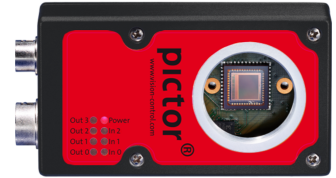
## Smart Camera - pictor N420M-ETH

---

**Short description:** smart camera, ethernet, 1/1,8" CMOS,  
1600x1200, mono, 55fps, incl. software vcwin

**Order number:** 3-12-504

**EAN:** 4251692610077



---

## Characteristics

- smart camera for industrial image processing
  - particularly compact and space-saving design
  - integrated HMI for process visualization
  - consistent functional and operating concept, range of functions is compatible with vicosys<sup>®</sup> vision systems
  - on average 2.5 times faster than comparable pictor<sup>®</sup> M devices
  - extensive optics and lighting accessories
-

---

## Technical data

---

### Sensor Data

---

Sensor name	e2v EV76C570
Chroma	Monochrome IR cut filter 400 nm - 700 nm
Sensor format	1/1.8"
Sensor diagonal	9.0 mm
Sensor technology	CMOS
Readout method	Global Shutter
Resolution total	2.0 MPixel
Number of pixel	1600 x 1200 Pixel
Pixel size	4.5 µm x 4.5 µm
Frame rate	55 fps
Shutter (exposure time)	min. 15 µs

---

### Performance Data

---

Processor	Dual-Core ARM® Cortex®-A9 with 866MHz and integrated FPGA
RAM	512 MB DDR-SDRAM
Flash EPROM	16 GB, davon ca. 12 GB frei für Prüfprogramme und Bilder

---

### Prozessinterface

---

Communication interfaces	1 x Ethernet 100Mbit
Process interface	2 digital input channels 4 digital output channels 1 trigger input for image acquisition 1 trigger output for flash

---

### Software

---

Parameterization	Operating software vcwin
Operation	Process visualization and configuration via integrated webHMI

---

### General Data

---

---

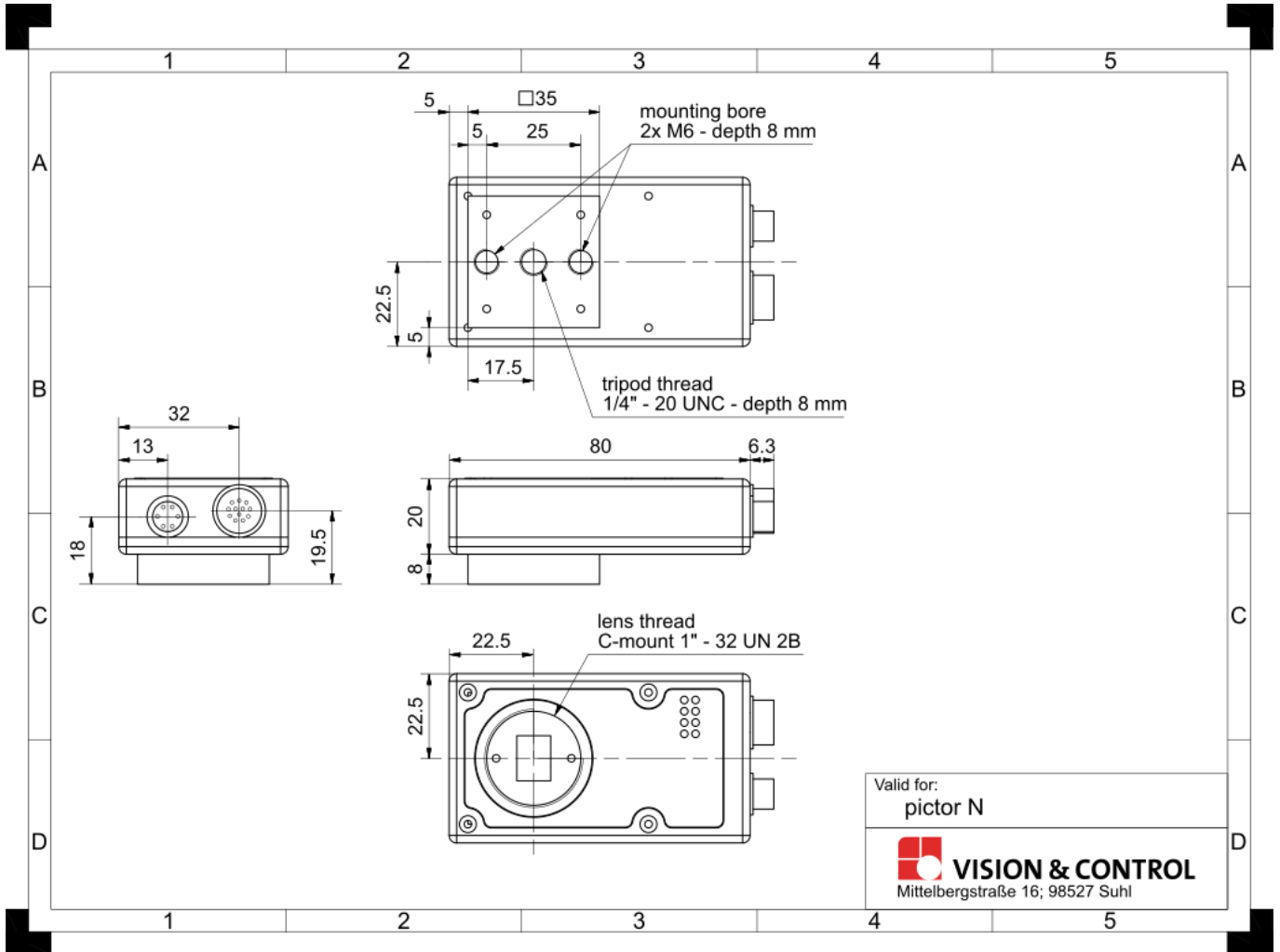
Power requirements	12 V ... 30 V DC über 12-pin Hirose oder Steckernetzteil
Lens mount	CS-Mount, C-Mount (with adapter)
Dimensions	80 mm x 45 mm x 20 mm (without connectors)
Weight	175 g
Degree of protection (IP)	IP20
Safety class	Class III, safety extra low voltage (SELV)
Operating temperature	0 °C ... 50 °C

---

## Accessories for Smart Cameras - pictor N420M-ETH

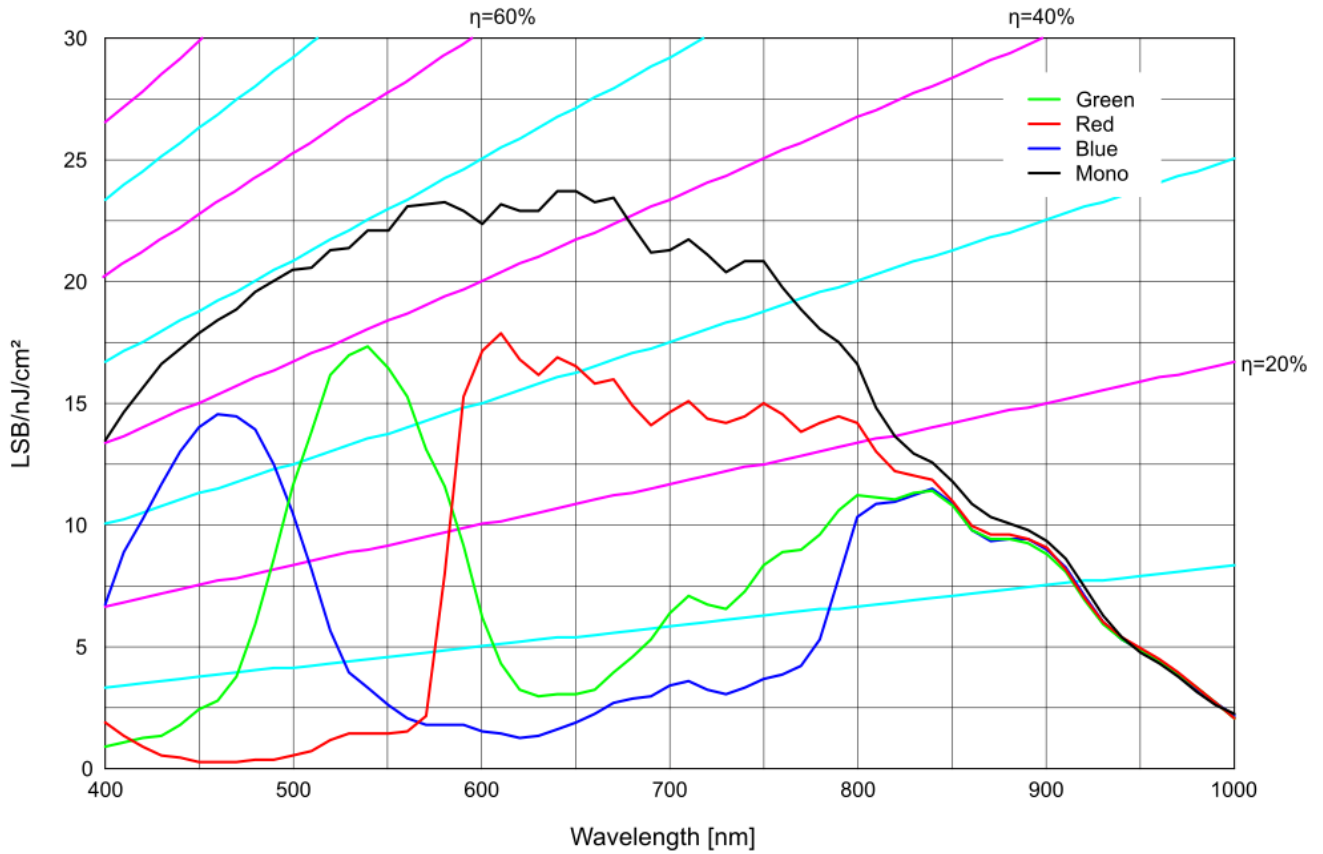
Order number	Title	Description
<b>Ethernet Cables</b>		
4-40-203	Ethernet cable, 6p, 5m	HR10A-7P-6S, plug with socket contacts to RJ45 plug, for pictor M/N
4-40-204	Ethernet cable, 6p, 10m	HR10A-7P-6S, plug with socket contacts to RJ45 plug, for pictor M/N
<b>PLC-Power Cables</b>		
4-40-223	PLC-power cable, 12p, 5m	HR10A-10P-12S, plug with socket contacts to open cable end, for pictor M/N
4-40-224	PLC-power cable, 12p, 10m	HR10A-10P-12S, plug with socket contacts to open cable end, for pictor M/N
4-40-225	PLC-power cable, 12p, 25m	HR10A-10P-12S, plug with socket contacts to open cable end, for pictor M/N
<b>Power supply</b>		
4-40-219	Power supply 24V/40W/1.7A	for DIN rail mounting, Type: MDR-40-24 for pictor M/N
<b>Power supply units</b>		
4-40-209	Power supply 24V/0.63A	HR10A-10P-12S, plug with socket contacts, length 3m, for pictor M/N
<b>Fieldbus Gateways</b>		
3-90-028	Gateway netTAP 50-DP-EN	Modbus TCP slave to PROFIBUS-DP slave, for pictor and vicosys
3-90-029	Gateway netTAP 100-RE-EN	Modbus TCP slave to EtherCAT slave, for pictor and vicosys

**Drawings**



Dimensional drawing in mm

**Spectral Response & Quantum Efficiency ( $\eta$ )**  
 (excludes lens characteristics and light source characteristics)



Spectral response and quantum efficiency