

Colour Filter Red - Colour filter red M39x0.5

Short description: long-pass filter from 630 nm, red, filter thread M39x0.5

Order number: 2-91-261



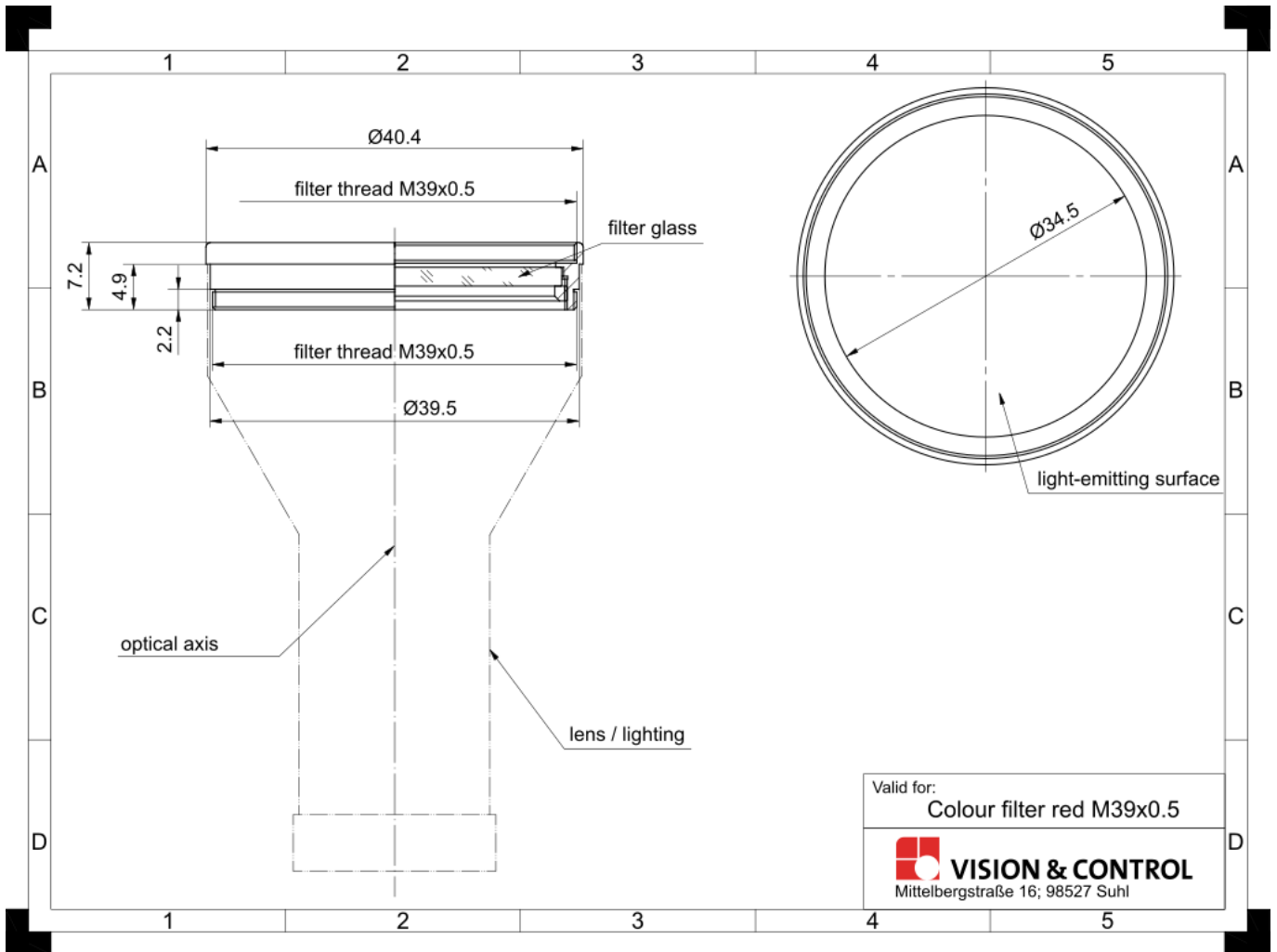
Characteristics

- long-pass filter for wavelengths from 630 nm
 - to increase the image contrast of monochrome cameras
 - ideal in combination with red LED lights
 - easy to assemble thanks to the black anodized brass mount
-

Technical data

Filter type	Long-pass filter
Housing material	Filter mount: brass
Optical material	Glass
Thickness optical material	2 mm
Weight	16 g
Screw-in socket	M39 x 0.5

Drawings



Dimensional drawing in mm