

## Neutral density filter - ND filter 1.2 M30.5x0.5

---

**Short description:** optical density 1.2 - 6.3% transmission, f-stop reduction 4, filter thread M30.5x0.5

**Order number:** 2-91-247

**Actual Notice:** Availability on request.



---

### Characteristics

- to reduce the image brightness without changing the spectral distribution or the depth of field
  - can be used for extremely bright inspection tasks such as welding processes or melting, drawing and ignition processes
  - to avoid overexposure, blooming and smearing and to protect light-sensitive sensors
  - easy to assemble thanks to the black anodized brass mount
-

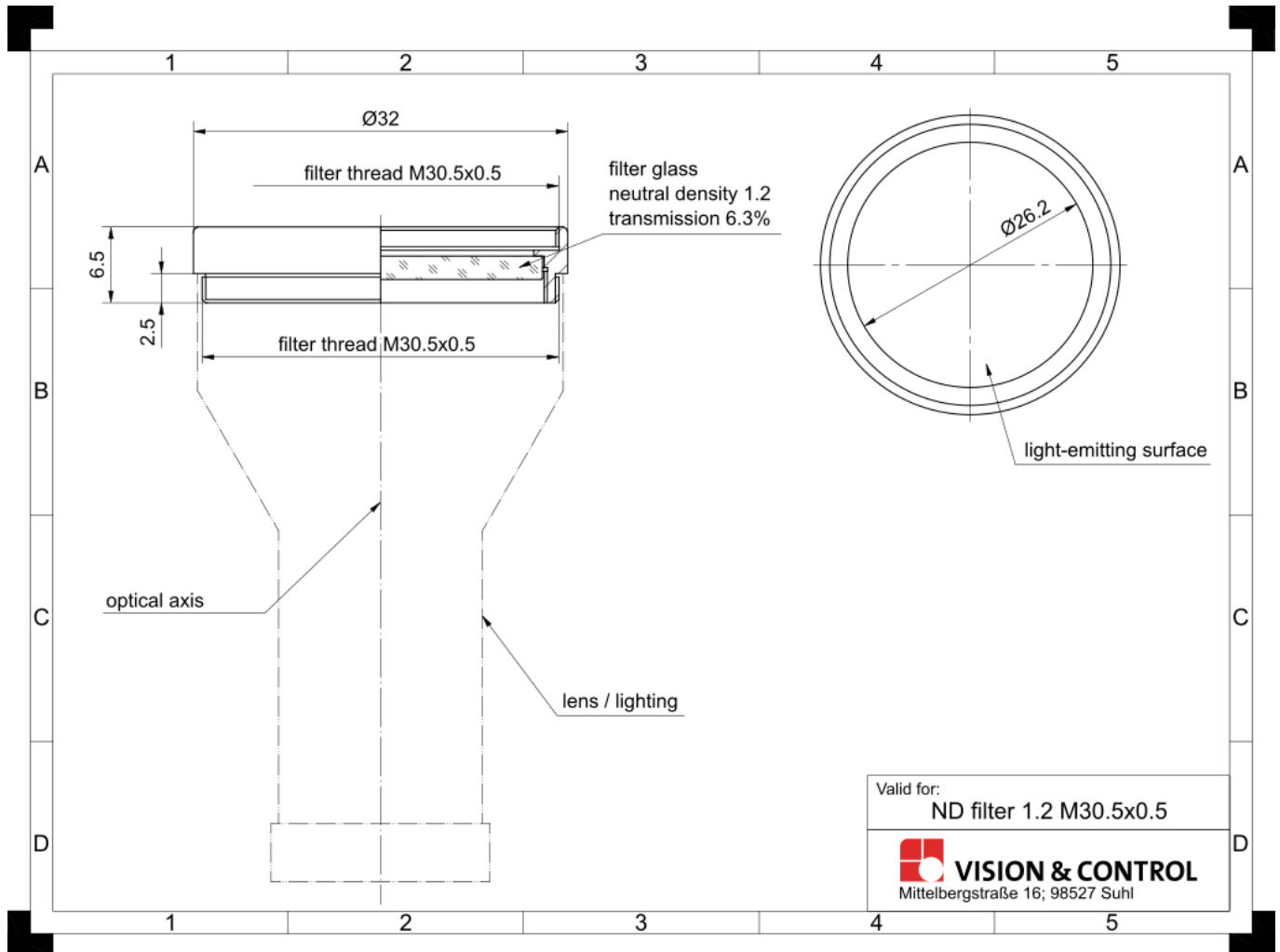
---

## Technical data

Filter type	Neutral density filter
Housing material	Filter mount: brass
Optical material	Glass
Thickness optical material	2 mm
Weight	11 g
Mounting	Screw-in socket
Filter thread	M30.5 x 0.5

---

## Drawings



Dimensional drawing in mm