

Polarising Filter - Pole filter M30.5x0.5

Short description: linear polarizing filter, range 420 nm - 780 nm,
filter thread M30.5x0.5

Order number: 2-91-227



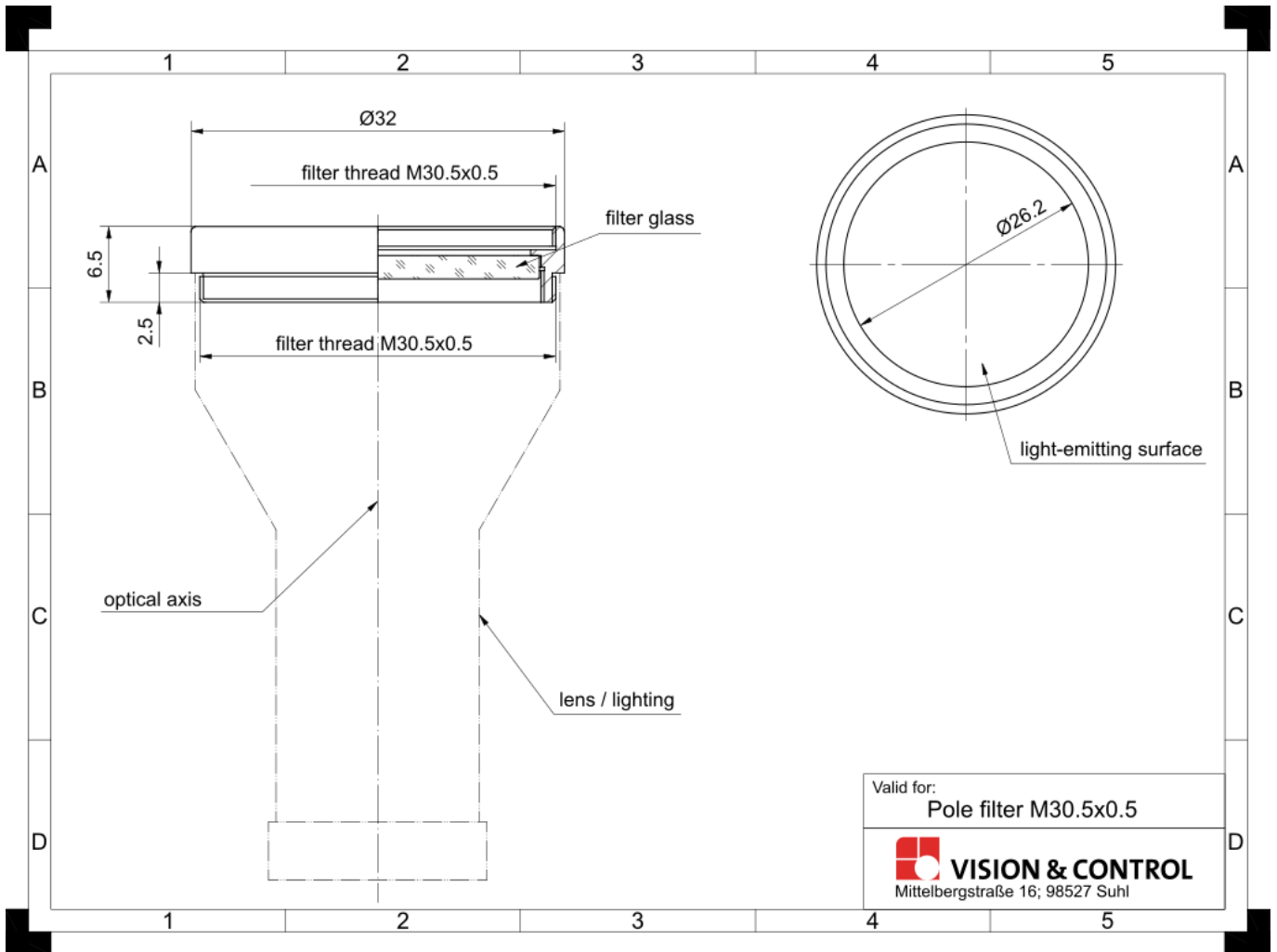
Characteristics

- for reflection suppression on reflecting objects in incident light
 - for showing material stress in transmitted light applications
 - Suitable for colour applications, as there is no change in the spectral composition of the transmitted light
 - high reproducibility due to printed scaling
 - easy to assemble thanks to the black anodized brass mount
-

Technical data

| | |
|----------------------------|---------------------|
| Filter type | Polarisation filter |
| Housing material | Filter mount: brass |
| Optical material | Glass |
| Thickness optical material | 2 mm |
| Weight | 13 g |
| Mounting | Screw-in socket |
| Filter thread | M30.5 x 0.5 |

Drawings



Dimensional drawing in mm