

Daylight Blocking Filter - IR filter M30.5x0.5

Short description: long-pass filter from 830 nm, daylight absorbing filter, filter thread M30.5x0.5

Order number: 2-91-217



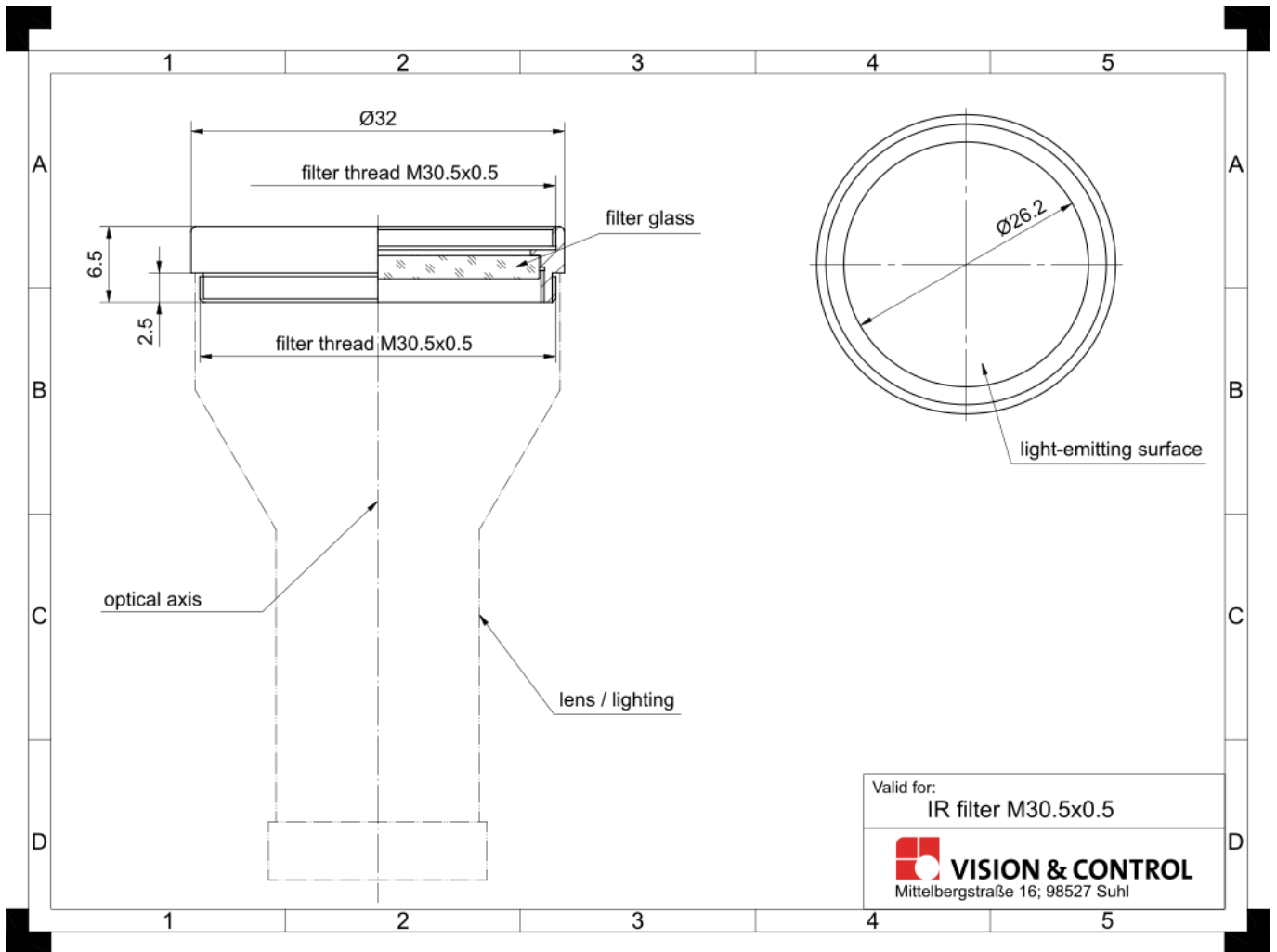
Characteristics

- long-pass filter for wavelengths from 830 nm to avoid UV light and daylight influences
 - ideal in combination with infrared lights
 - for inspection tasks near daylight or at manual workstations
 - easy to assemble thanks to the black anodized brass mount
-

Technical data

Filter type	Long-pass filter Daylight blocking filter
Housing material	Filter mount: brass
Optical material	Glass
Edge length	830 nm
Transmission	= 83.6
Thickness optical material	2 mm
Weight	11 g
Mounting	Screw-in socket
Filter thread	M30.5 x 0.5

Drawings



Dimensional drawing in mm