

## UV Cut-Off Filter - UV blocking filter M30.5x0.5

---

**Short description:** long-pass filter from 350 nm, usable as protective glass, filter thread M30.5x0.5

**Order number:** 2-91-207



---

### Characteristics

- long-pass filter for wavelengths from 390 nm to avoid UV light influences
  - to avoid blur or bluish cast caused by chromatic aberration
  - ideal as a protective glass for the front lens
  - easy to assemble thanks to the black anodized brass mount
-

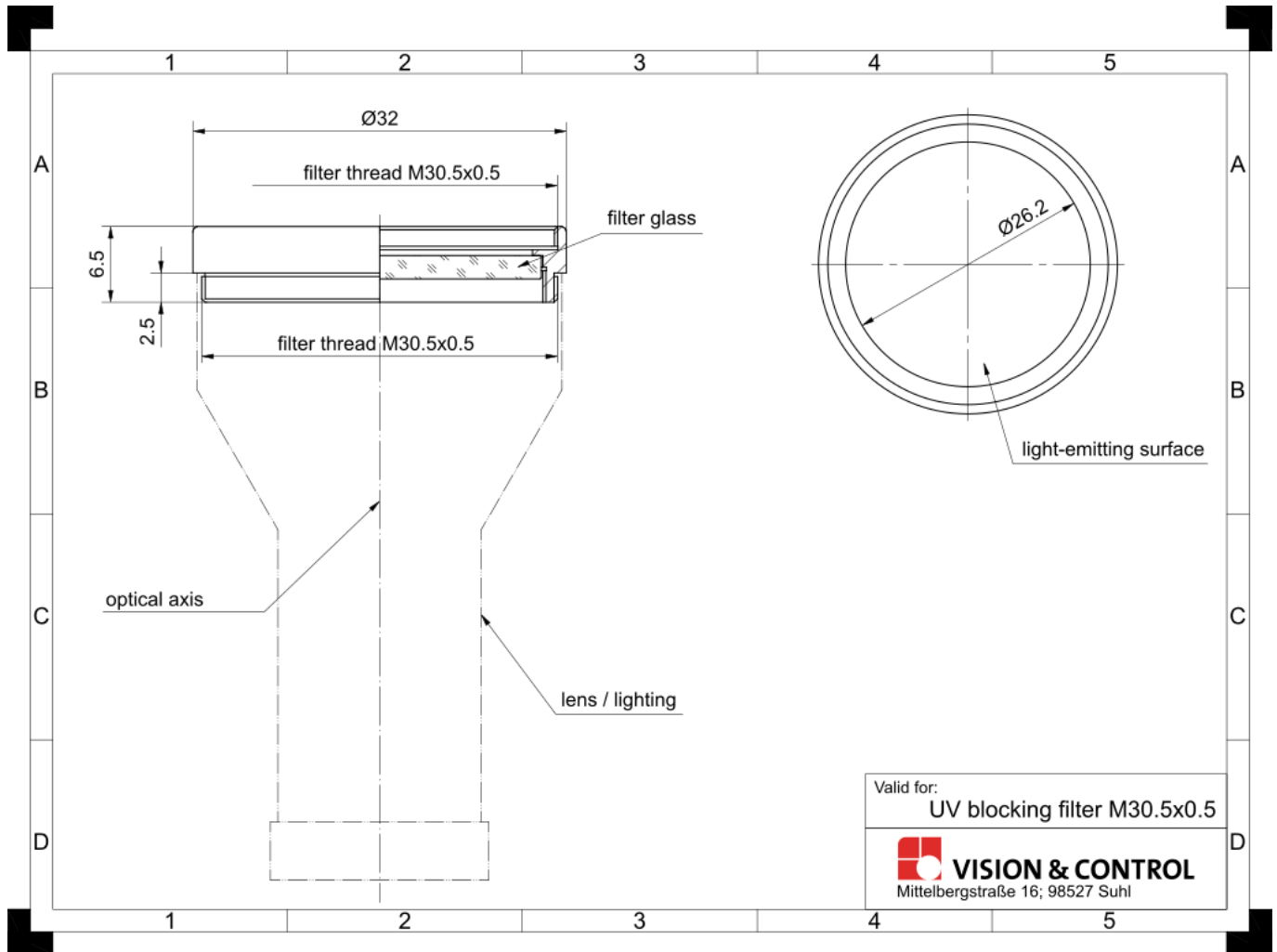
---

## Technical data

Filter type	Long-pass filter
Housing material	Filter mount: brass
Optical material	Glass
Thickness optical material	2 mm
Weight	11 g
Mounting	Screw-in socket
Filter thread	M30.5 x 0.5

---

## Drawings



Dimensional drawing in mm