

UV Cut-Off Filter - UV blocking filter M25.5x0.5

Short description:	long-pass filter from 350 nm, usable as protective glass, filter thread M25.5x0.5
Order number:	2-91-205
Actual Notice:	Availability on request.



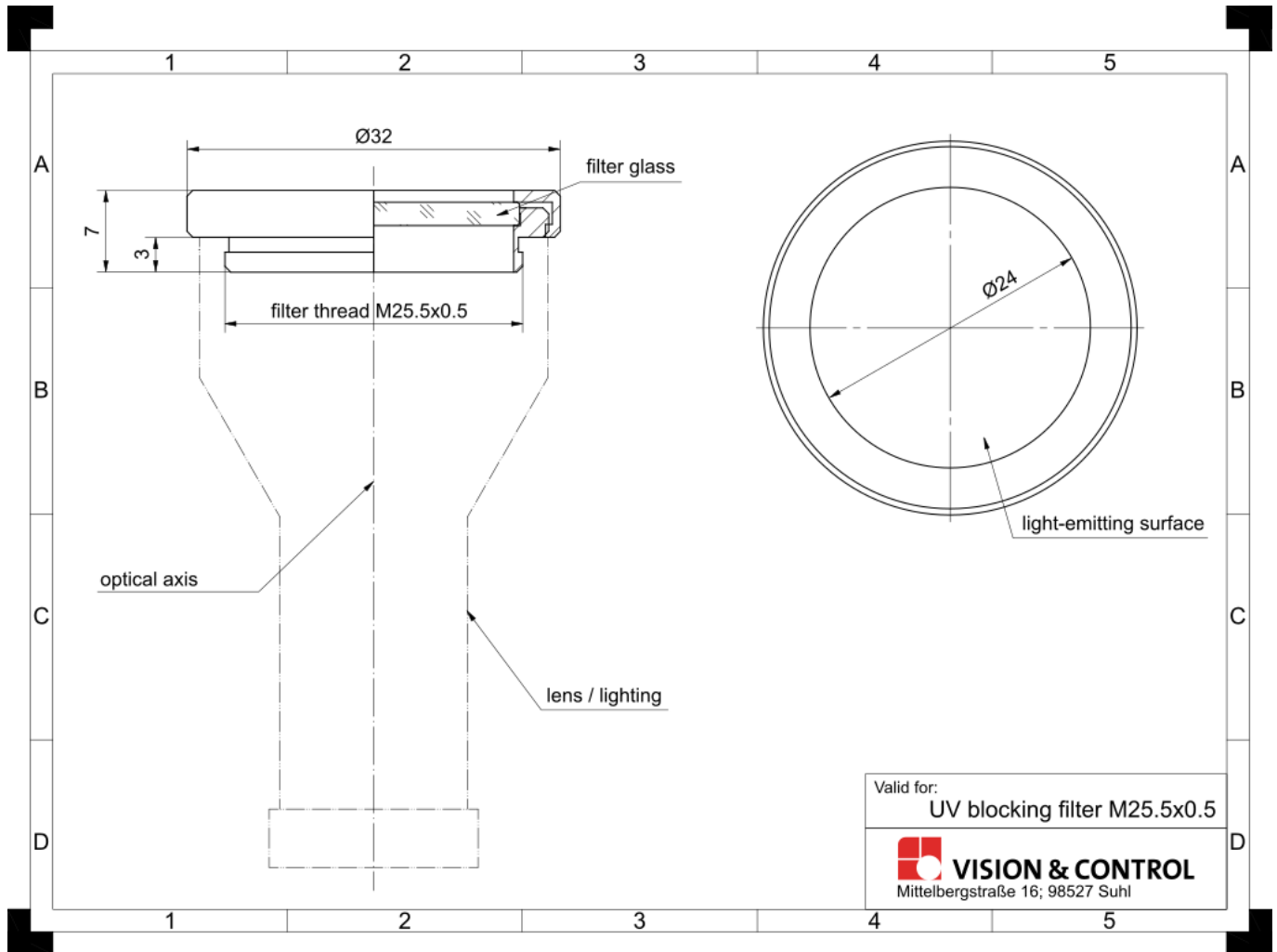
Characteristics

- long-pass filter for wavelengths from 390 nm to avoid UV light influences
 - to avoid blur or bluish cast caused by chromatic aberration
 - ideal as a protective glass for the front lens
 - easy to assemble thanks to the black anodized brass mount
-

Technical data

Filter type	Long-pass filter
Housing material	Filter mount: brass
Optical material	Glass
Thickness optical material	2 mm
Weight	8 g
Mounting	Screw-in socket
Filter thread	M25.5 x 0.5

Drawings



Dimensional drawing in mm