

## UV Cut-Off Filter - UV blocking filter M40.5x0.5

---

<b>Short description:</b>	long-pass filter from 350 nm, usable as protective glass, filter thread M40.5x0.5
<b>Order number:</b>	2-91-200
<b>Actual Notice:</b>	Availability on request.



---

### Characteristics

- long-pass filter for wavelengths from 390 nm to avoid UV light influences
  - to avoid blur or bluish cast caused by chromatic aberration
  - ideal as a protective glass for the front lens
  - easy to assemble thanks to the black anodized brass mount
-

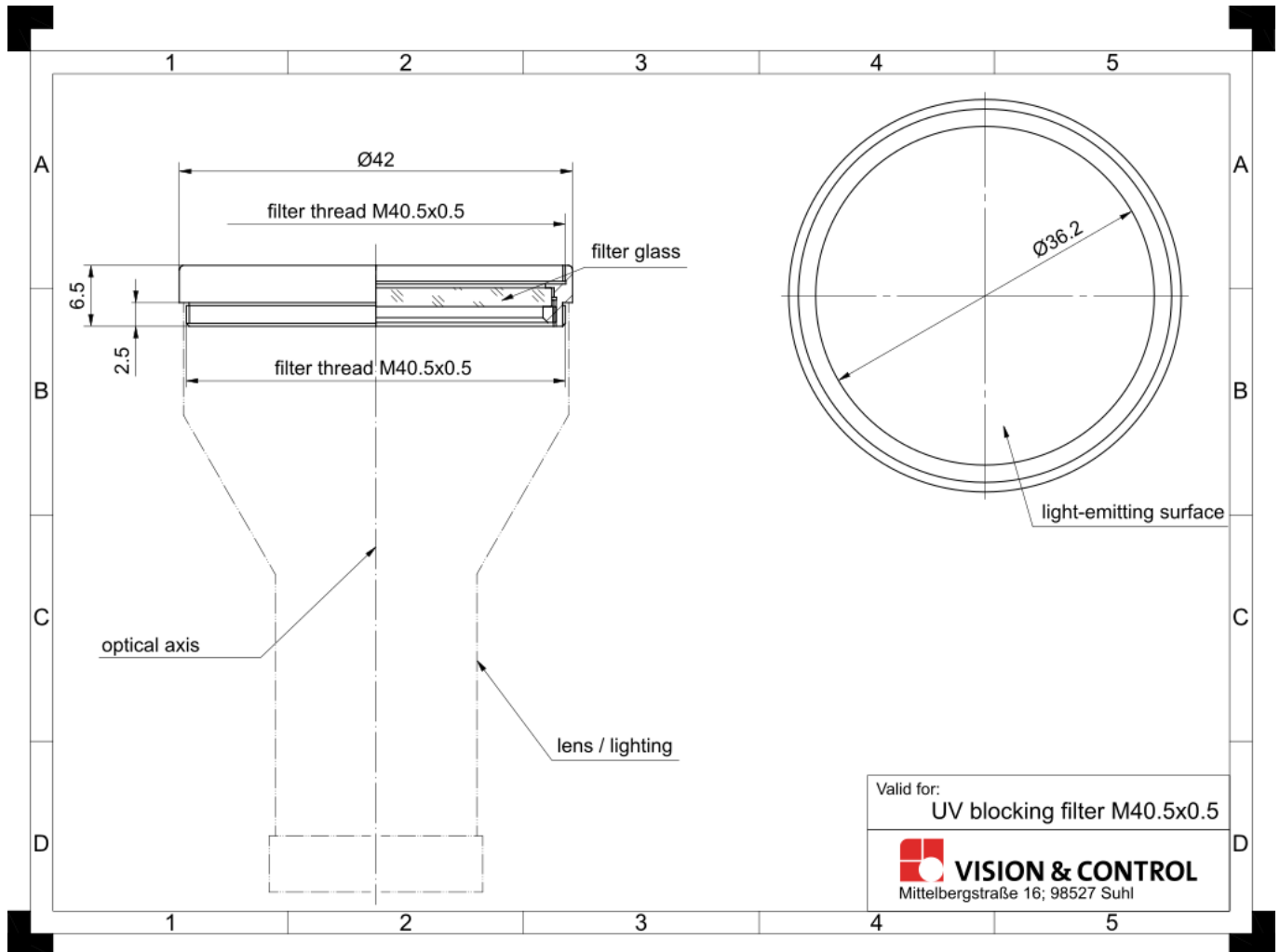
---

**Technical data**

Filter type	Long-pass filter
Housing material	Filter mount: brass
Optical material	Glass
Thickness optical material	2 mm
Weight	17 g
Mounting	Screw-in socket
Filter thread	M40.5 x 0.5

---

## Drawings



Dimensional drawing in mm