

Filter Adapter - Filter adapter d45-M40.5

Short description: slip-on adapter for use of a M40.5x0.5 filter on lenses with 45 mm clamping diameter

Order number: 2-91-189



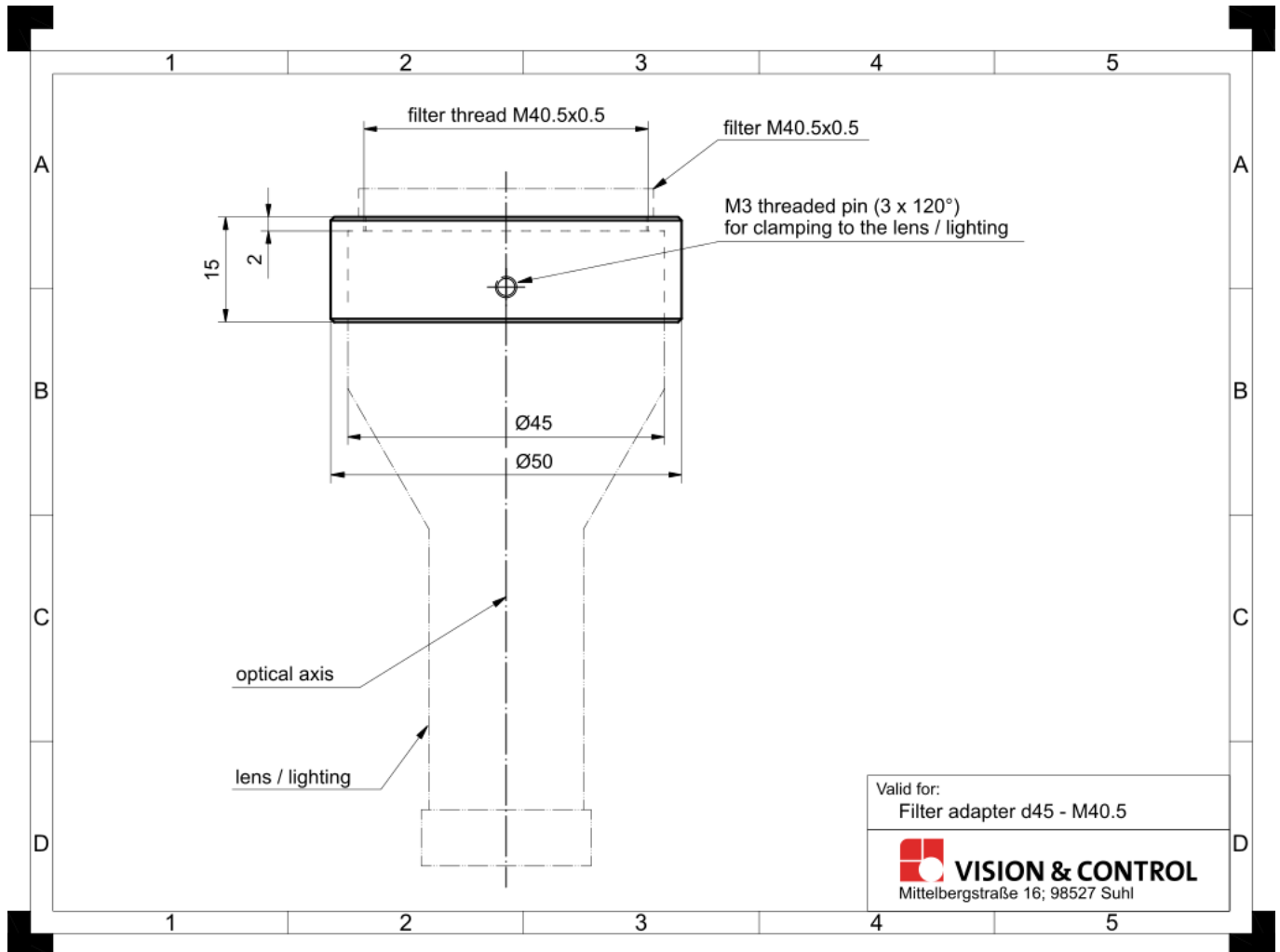
Characteristics

- By using slip-on adapter, round filters can be attached to lenses or lighting that do not have a filter thread.
 - The adapter is attached to the lens or the lighting with M3 threaded pins (3 x 120 °).
 - light and robust aluminium holder with high dimensional stability
-

Technical data

Type	Slip-on adapter
Material	Aluminium, black anodised
Diameter / height	50 mm / 15 mm
Weight	17 g
Clamping diameter	45 mm
Clamping length	13 mm
Thread for filter	M30.5 x 0.5
Screw-in depth	2 mm
Can be combined with:	
Telecentric light	TZB38 series

Drawings



Dimensional drawing in mm