

Neutral density filter - ND filter 1.2 M39x0.5

Short description: optical density 1.2 - 6.3% transmission, f-stop reduction 4, filter thread M39x0.5

Order number: 2-91-160

Actual Notice: Availability on request.



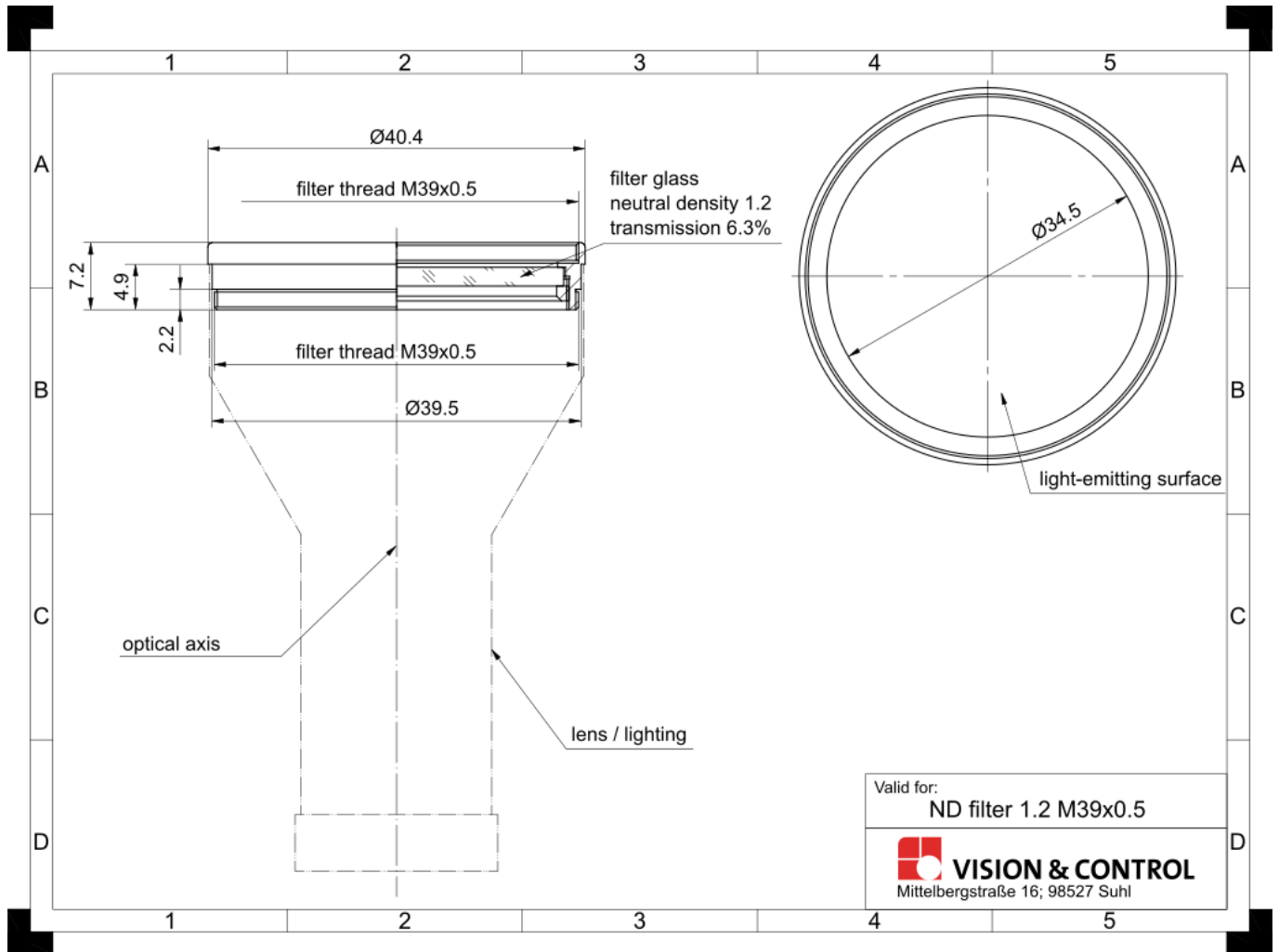
Characteristics

- to reduce the image brightness without changing the spectral distribution or the depth of field
 - can be used for extremely bright inspection tasks such as welding processes or melting, drawing and ignition processes
 - to avoid overexposure, blooming and smearing and to protect light-sensitive sensors
 - easy to assemble thanks to the black anodized brass mount
-

Technical data

Filter type	Neutral density filter
Housing material	Filter mount: brass
Optical material	Glass
Thickness optical material	2 mm
Weight	16 g
Mounting	Screw-in socket
Filter thread	M39 x 0.5

Drawings



Dimensional drawing in mm