

## Polarising Filter - Pole filter M39x0.5

---

**Short description:** linear polarizing filter, range 420 nm - 780 nm,  
filter thread M39x0.5

**Order number:** 2-91-140



---

### Characteristics

- for reflection suppression on reflecting objects in incident light
  - for showing material stress in transmitted light applications
  - Suitable for colour applications, as there is no change in the spectral composition of the transmitted light
  - high reproducibility due to printed scaling
  - easy to assemble thanks to the black anodized brass mount
-

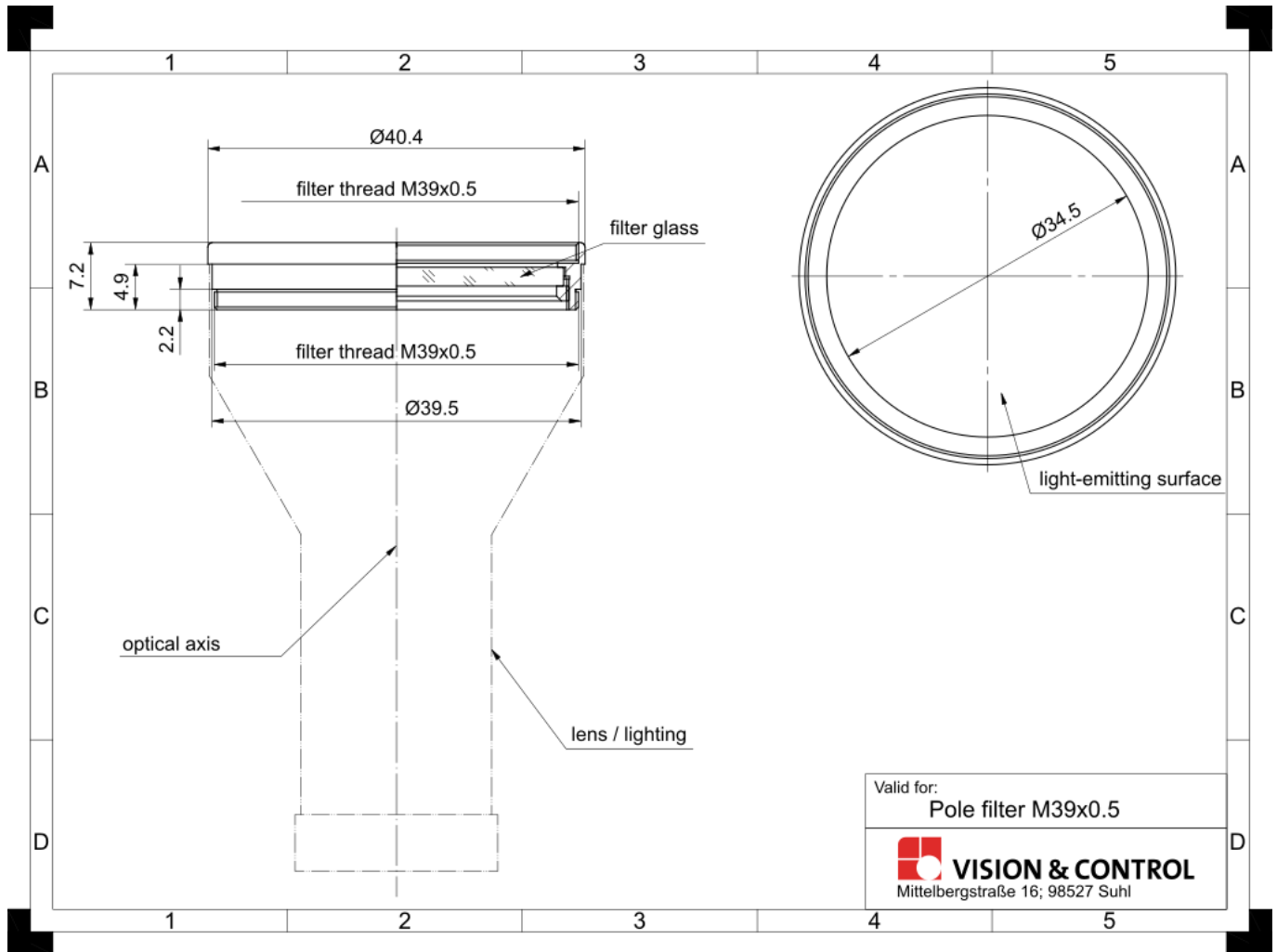
---

**Technical data**

Filter type	Polarisation filter
Housing material	Filter mount: brass
Optical material	Glass
Thickness optical material	2 mm
Weight	20 g
Screw-in socket	M39 x 0.5

---

## Drawings



Dimensional drawing in mm