
Accessory - Extension ring 1.0 mm

Short description: 26 x 31 x 1.0 reduces the minimum object distance (MOD)

Order number: 2-90-416



Characteristics

- To adjust the magnification and working distance of entocentric lenses
 - Used for shorter working distances than the minimum object distance of the lens (MOD)
 - Compatible with C-mount and CS-mount lenses
 - Usable in any combination
-

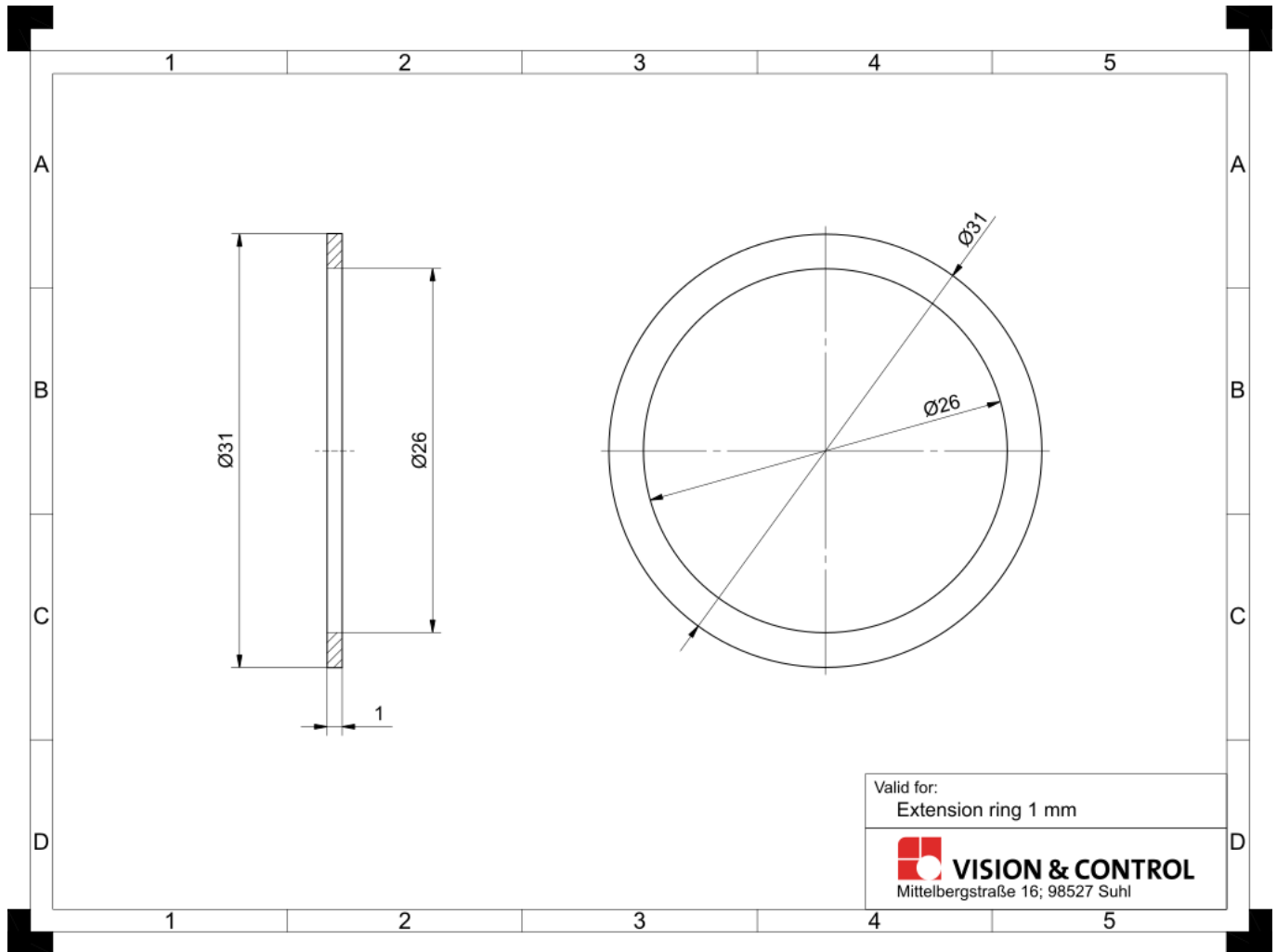
Technical data

Material	Aluminium, matt-schwarz (antireflex)
Weight	< 5 g
Dimensions	
Outer diameter	31 mm
Inner diameter	26 mm
Height	1.0 mm
Optical length	1.0 mm

Notices

Extension rings are mounted between the lens and the camera. They affect the f-number, which reduces the light output of the optical system.

Drawings



Dimensional drawing in mm