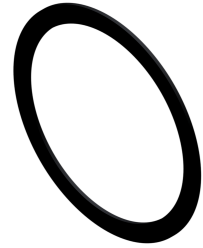

Accessory - Extension ring 0.5 mm

Short description: 26 x 31 x 0.5 reduces the minimum object distance (MOD)

Order number: 2-90-415



Characteristics

- reduces the minimum object distance (MOD) for entocentric lenses
 - reduces the working distance for telecentric lenses
 - enlarges the magnification
 - shortening the working distance by approx. the thickness of the intermediate ring divided by the square of the magnification of the respective objective lens
 - compatible with C-mount and CS-mount lenses
 - usable in any combination
-

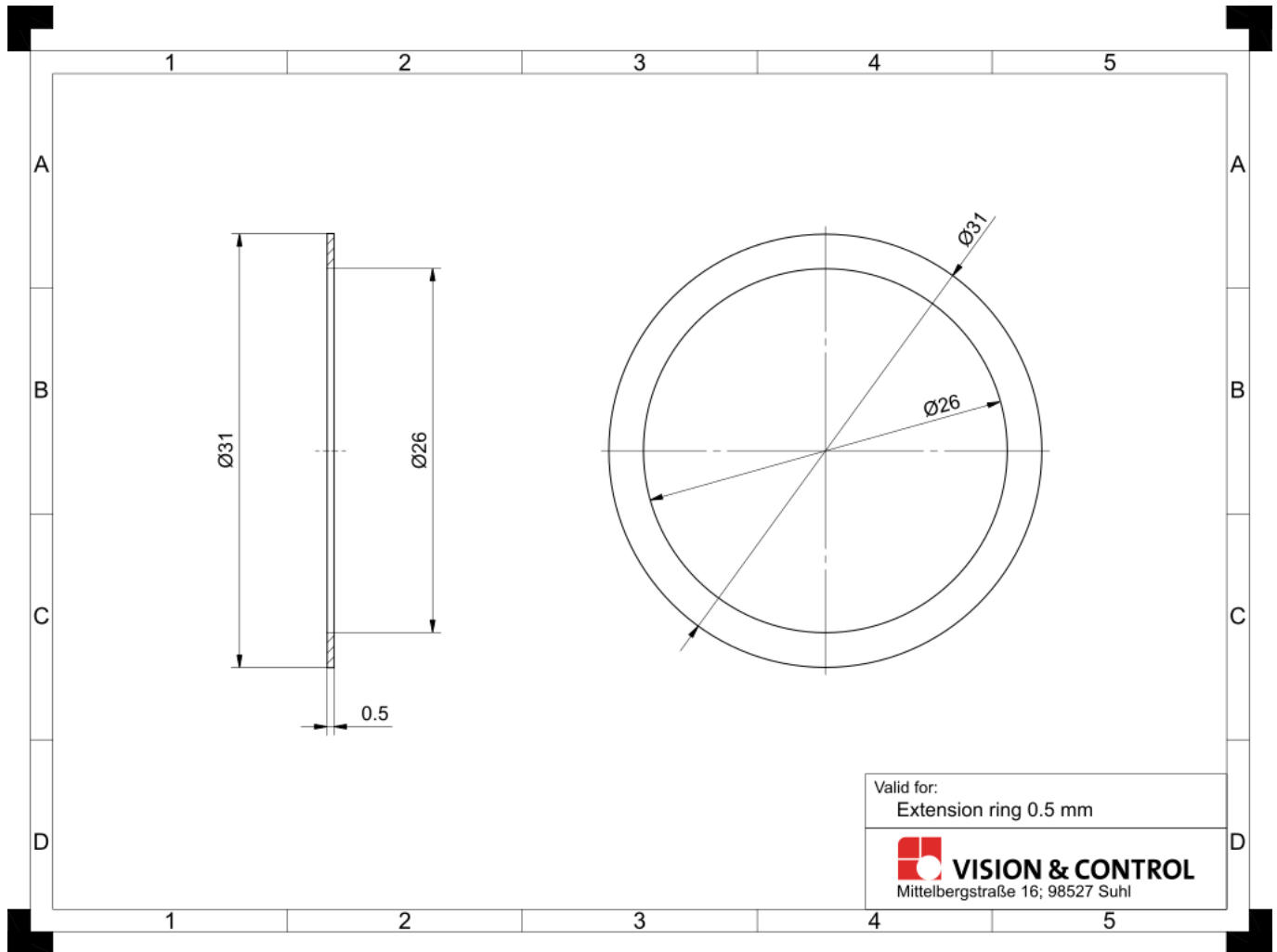
Technical data

Material (Housing)	Aluminum, matte black (anti-reflective)
Weight	2 g
Dimensions	
Outer diameter	31 mm
Inner diameter	26 mm
Thickness	0.5 mm
Change in optical path length	0.5 mm

Notices

Extension rings are mounted between the lens and camera. The effective f-number may differ from the f-number set on the lens.

Drawings



Dimensional drawing in mm