

---

## Entocentric 90° Lens - RWO 30-0.59

---

**Short description:** entocentric 90° lens, C-Mount, sensor opt. 2/3",  
focal length 30 mm, WD 47 mm

**Order number:** 2-10-324

**EAN:** 4251692625187



---

### Characteristics

- lens with 90° angled beam path for use under difficult mounting conditions
  - robust industrial design
  - for matrix and line cameras with 2/3" sensors
  - manually adjustable iris with fixing, fixed working distance
  - low distortion
  - spectral range from 380 to 900 nm, colour-corrected and bright
  - C-mount threaded connection
-

---

## Technical data

Focal length	30 mm
Image scale	0.59 (-1 : 1.69)
Image side aperture	0.064 ... 0.018
Working distance	47 mm
Sensor size (max)	2/3"
Object field diagonal (max)	18.6 mm
Object field with:	
• 2/3" sensor	14.9 mm x 11.1 mm
• 1/1.8" sensor	12.2 mm x 9.1 mm
• 1/2" sensor	10.8 mm x 8.1 mm
• 1/3" sensor	8.1 mm x 6.1 mm
• 1/4" sensor	5.7 mm x 3.7 mm
Lens length	88.9 mm
Lens diameter (max)	42.0 mm
Lens mount	C-Mount
Filter thread camera-side	M20 x 0.5
Weight	190 g
Ambient temperature	-10 °C bis 50°C

---

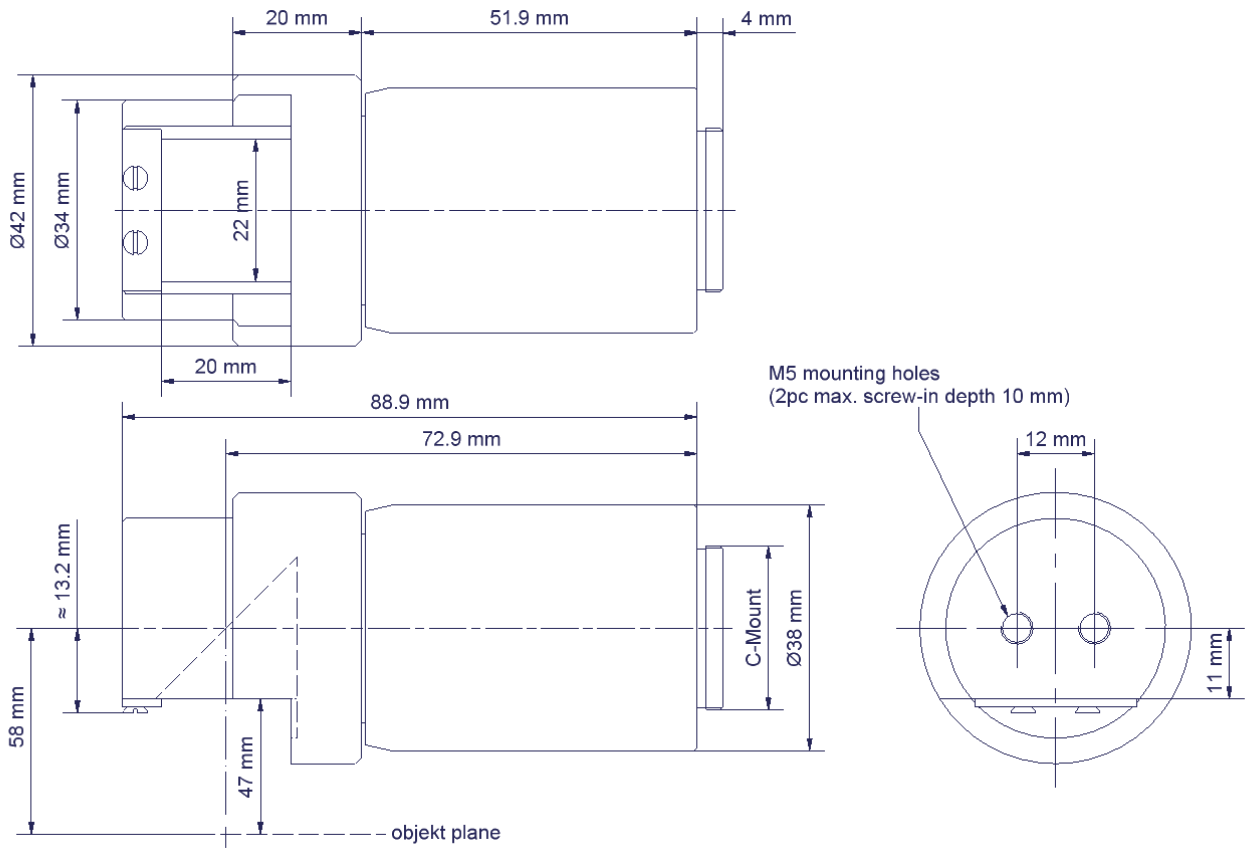
---

## Accessories for Entocentric Lenses - RWO 30-0.59

Order number	Title	Description
<b><i>Extension tubes</i></b>		
2-90-415	Extension ring 0.5 mm	26 x 31 x 0.5 reduces the minimum object distance (MOD)
2-90-416	Extension ring 1.0 mm	26 x 31 x 1.0 reduces the minimum object distance (MOD)
2-90-410	Extension tube set C-mount	consist of extension rings with each 0.5 mm, 1 mm, 5 mm, 10 mm, 20 mm and 40 mm
<b><i>Thread adapter c-mount</i></b>		
5-00-011	Thread adapter C-Mount-M42	Adapter for mounting of lenses with C-mount on cameras with M42x1 mount
2-90-414	CS to C-mount adapter 5.0 mm	for connecting C-mount lenses with CS-mount cameras, length: 5 mm

---

## Drawings



Dimensional drawing in mm