
Entocentric Lens - VCH 1.8/4.8 - CC0418DX-VG

Short description: entocentric lens, sensor max. 2/3", F1.8, focal length 4.8 mm, MOD 300 mm

Order number: 2-10-212



Characteristics

- manually adjustable standard lens with fixed focal length for C and CS mount cameras
 - for VGA-class matrix and line cameras (0.3 megapixels)
 - compact design, robust and durable
 - 3 fixing screws each (plus 2 knurling screws) for focus and iris - suitable for applications with vibrations and acceleration
-

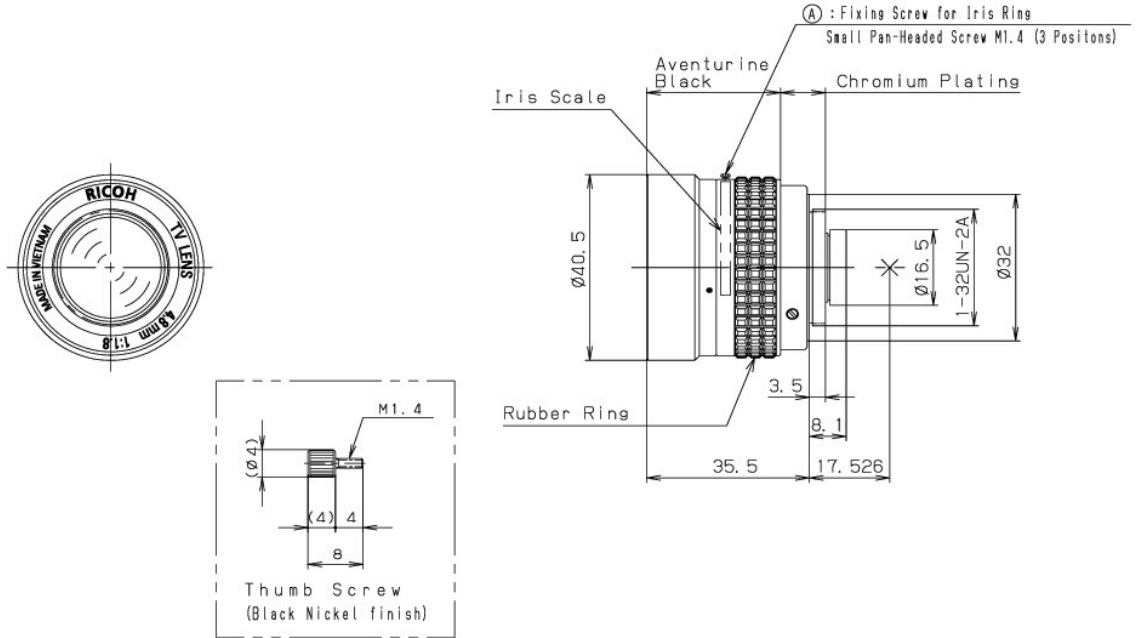
Technical data

| | |
|---------------------|-----------------------|
| Focal length | 4.8 mm |
| F-number | 1.8 - 16C |
| MOD | 0.3 m |
| Sensor size (max) | 2/3" |
| Pixel size (min) | 11.67 μ m |
| Resolution | 0.3 MPixel (VGA) |
| Angle of view with: | |
| • 2/3" sensor | 85° x 69° x 97.7° |
| • 1/1.8" sensor | 73.7° x 58.7° x 85.7° |
| • 1/2" sensor | 67.3° x 53.1° x 79.6° |
| • 1/3" sensor | 53.1° x 41.1° x 65.7° |
| • 1/4" sensor | 39° x 25.8° x 45.7° |
| Lens length | 35.5 mm |
| Lens diameter (max) | 40.5 mm |
| Lens mount | C-Mount |
| Weight | 105 g |
| Ambient temperature | -20°C bis +50°C |

Accessories for Entocentric Lenses - VCH 1.8/4.8 - CC0418DX-VG

| Order number | Title | Description |
|------------------------------------|------------------------------|---|
| <i>Extension tubes</i> | | |
| 2-90-415 | Extension ring 0.5 mm | 26 x 31 x 0.5 reduces the minimum object distance (MOD) |
| 2-90-416 | Extension ring 1.0 mm | 26 x 31 x 1.0 reduces the minimum object distance (MOD) |
| 2-90-410 | Extension tube set C-mount | consist of extension rings with each 0.5 mm, 1 mm, 5 mm, 10 mm, 20 mm and 40 mm |
| <i>Lens adapter c-mount</i> | | |
| 2-90-414 | CS to C-mount adapter 5.0 mm | for connecting C-mount lenses with CS-mount cameras, length: 5 mm |

Drawings



Iris Scale **C 16 11 8 5.6 4 2.8 2 1.8**

| | |
|------------|---------------------|
| SPEC. INFO | FL-CC0416DX-VG |
| | 3130405-S001-RC-B33 |
| | Sep. 28. 2012 |
| RICOH | |

Dimensional drawing in mm