

---

## Entocentric Lens - VCH 1.4/16 - CC1614A-2M

---

**Short description:** entocentric lens, sensor max. 2/3", F1.4, focal length 16 mm, MOD 100 mm

**Order number:** 2-10-200



---

### Characteristics

- manually adjustable lens with fixed focal length for C and CS mount cameras
  - for close-up imaging with 2 megapixel CCD and CMOS sensors
  - sharp, high-resolution, high-contrast images from center to corners of the image
  - extremely low distortion, suitable for image measurement
  - increased light distribution
  - Shortened MOD (Minimum Objective Distance) for even better close-up imaging without the need for distance rings
  - compact design, robust and durable
  - 3 fixing screws each (plus 2 knurling screws) for focus and iris - suitable for applications with vibrations and acceleration
-

---

## Technical data

Focal length	16 mm
F-number	1.4 - 16C
MOD	0.1 m
Sensor size (max)	2/3"
Pixel size (min)	5.39 $\mu$ m
Resolution	2 MPixel
Angle of view with:	
• 2/3" sensor	30.7° x 23.3° x 37.9°
• 1/1.8" sensor	25.3° x 19.1° x 31.1°
• 1/2" sensor	22.6° x 17° x 28°
• 1/3" sensor	17° x 12.8° x 21.9°
• 1/4" sensor	12.1° x 7.8° x 14.4°
Lens length	32.2 mm
Lens diameter (max)	29.5 mm
Lens mount	C-Mount
Filter thread object-side	M27 x 0.5
Weight	54 g
Ambient temperature	-20°C bis +50°C

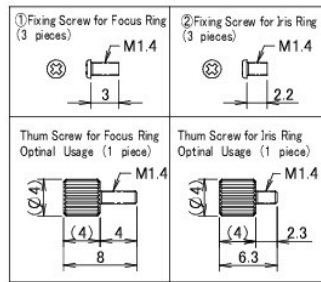
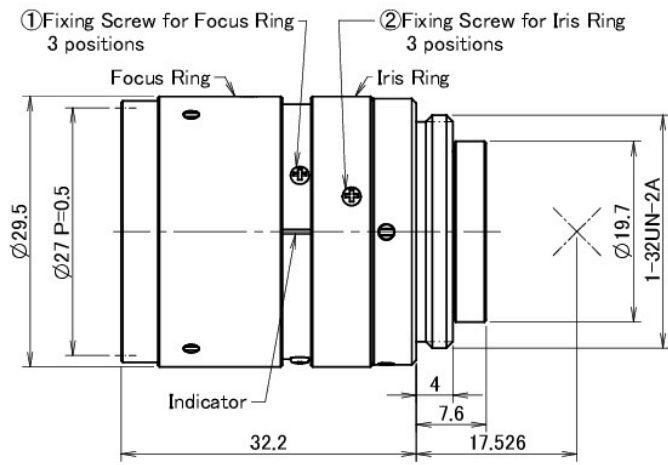
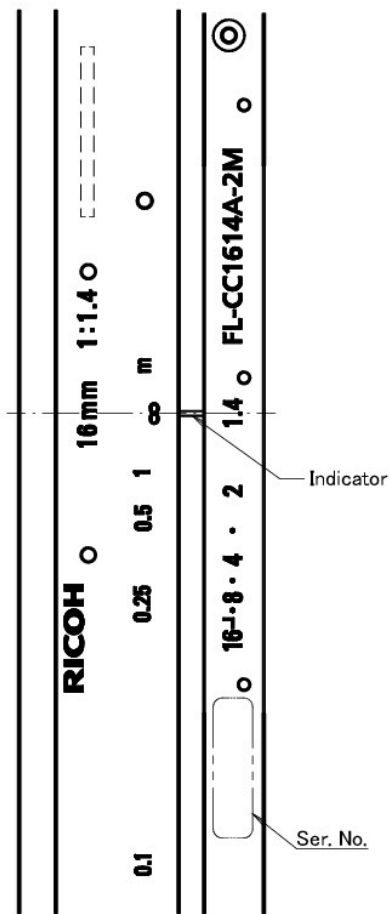
---

## Accessories for Entocentric Lenses - VCH 1.4/16 - CC1614A-2M

Order number	Title	Description
<b>Extension tubes</b>		
2-90-415	Extension ring 0.5 mm	26 x 31 x 0.5 reduces the minimum object distance (MOD)
2-90-416	Extension ring 1.0 mm	26 x 31 x 1.0 reduces the minimum object distance (MOD)
2-90-410	Extension tube set C-mount	consist of extension rings with each 0.5 mm, 1 mm, 5 mm, 10 mm, 20 mm and 40 mm
<b>Lens adapter c-mount</b>		
2-90-414	CS to C-mount adapter 5.0 mm	for connecting C-mount lenses with CS-mount cameras, length: 5 mm
<b>Neutral density filter</b>		
2-91-256	ND filter 3.0 M27x0.5	optical density 3.0 - 0.1% transmission, f-stop reduction 10, filter thread M27x0.5
2-91-246	ND filter 1.2 M27x0.5	optical density 1.2 - 6.3% transmission, f-stop reduction 4, filter thread M27x0.5
2-91-236	ND filter 0.6 M27x0.5	optical density 0.6 - 25% transmission, f-stop reduction 2, filter thread M27x0.5
<b>Daylight blocking filter</b>		
2-91-216	IR filter M27x0.5	long-pass filter from 830 nm, daylight absorbing filter, filter thread M27x0.5
<b>Polarising filters</b>		
2-91-226	Pole filter M27x0.5	linear polarizing filter, range 420 nm - 780 nm, filter thread M27x0.5
<b>Colour filter blue</b>		
2-91-283	Colour filter blue M27x0.5	band-pass filter, range 350 nm - 600 nm, filter thread M27x0.5
<b>UV Cut-Off Filter</b>		
2-91-206	UV blocking filter M27x0.5	long-pass filter from 350 nm, usable as protective glass, filter thread M27x0.5
<b>Colour filter red</b>		
2-91-265	Colour filter red M27x0.5	long-pass filter from 630 nm, red, filter thread M27x0.5

<b>Order number</b>	<b>Title</b>	<b>Description</b>
<b><i>Colour filter green</i></b>		
2-91-296	Colour filter green M27x0.5	band-pass filter, range 430 nm - 620 nm, filter thread M27x0.5
<b><i>Colour filter yellow</i></b>		
2-91-270	Colour filter yellow M27x0.5	long-pass filter from 530 nm, yellow, filter thread M27x0.5
<b><i>Adapters for attaching lights to lenses</i></b>		
1-29-151	Adapter ring d14 - M27x0.5	for RK613, for attachment to lenses with filter thread M27x0.5
1-33-027	Adapter ring d20.4 - M27x0.5	for R-CLR-38x20, for attachment to lenses with filter thread M27x0.5
1-10-006	Adapter ring d27 - M27x0.5	for RK1220, for attachment to lenses with filter thread M27x0.5
1-29-670	Adapter ring d41 - M27x0.5	for R-CLR-69x41 and RK2036, for attachment to lenses with filter thread M27x0.5

Drawings



SPEC. SHEET	FL-CC1614A-2M
	K65184-X001-B44
RICOH	Oct.10.2013

Dimensional drawing in mm