
Entocentric Lens - VCH 1.4/8 - CC0814A-2M

Short description: entocentric lens, sensor max. 2/3", F1.4, focal length 8 mm, MOD 100 mm

Order number: 2-10-198



Characteristics

- manually adjustable lens with fixed focal length for C and CS mount cameras
 - for close-up imaging with 2 megapixel CCD and CMOS sensors
 - sharp, high-resolution, high-contrast images from center to corners of the image
 - extremely low distortion, suitable for image measurement
 - increased light distribution
 - Shortened MOD (Minimum Objective Distance) for even better close-up imaging without the need for distance rings
 - compact design, robust and durable
 - 3 fixing screws each (plus 2 knurling screws) for focus and iris - suitable for applications with vibrations and acceleration
-

Technical data

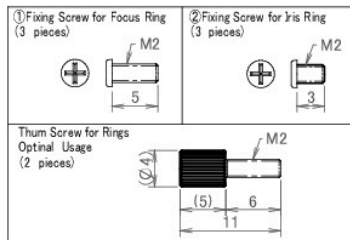
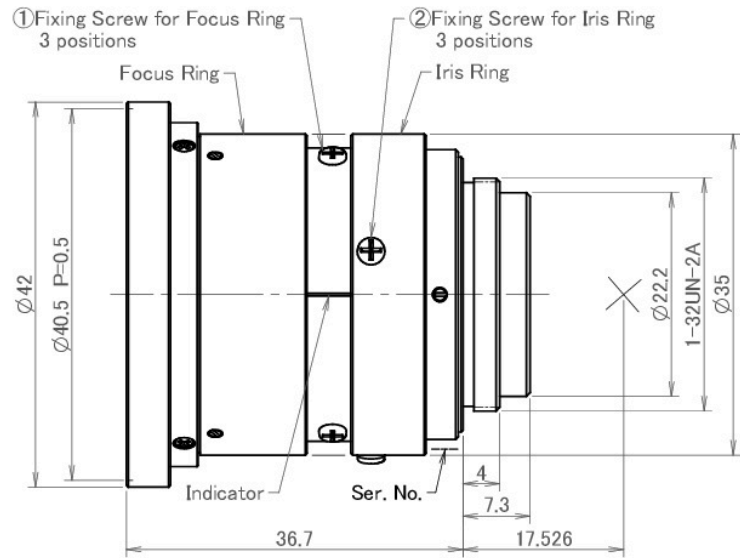
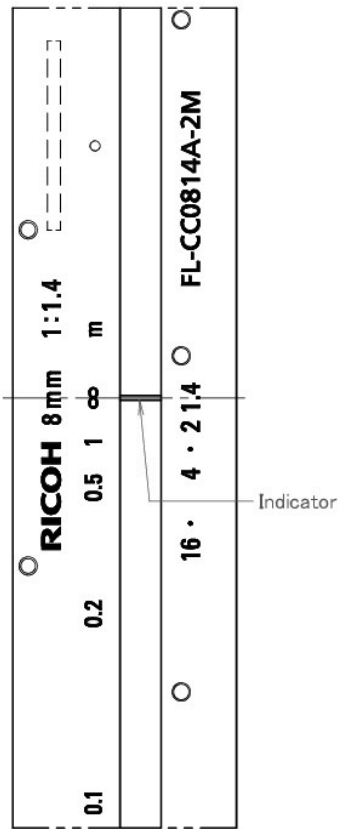
Focal length	8 mm
F-number	1.4 - 16C
MOD	0.1 m
Sensor size (max)	2/3"
Pixel size (min)	5.39 μ m
Resolution	2 MPixel
Angle of view with:	
• 2/3" sensor	57.6° x 44.8° x 69°
• 1/1.8" sensor	48.4° x 37.2° x 58.2°
• 1/2" sensor	43.6° x 33.3° x 53.1°
• 1/3" sensor	33.3° x 25.3° x 42.3°
• 1/4" sensor	23.9° x 15.6° x 28.4°
Lens length	36.7 mm
Lens diameter (max)	42.0 mm
Lens mount	C-Mount
Filter thread object-side	M40.5 x 0.5
Weight	76 g
Ambient temperature	-20°C bis +50°C

Accessories for Entocentric Lenses - VCH 1.4/8 - CC0814A-2M

Order number	Title	Description
Extension tubes		
2-90-415	Extension ring 0.5 mm	26 x 31 x 0.5 reduces the minimum object distance (MOD)
2-90-416	Extension ring 1.0 mm	26 x 31 x 1.0 reduces the minimum object distance (MOD)
2-90-410	Extension tube set C-mount	consist of extension rings with each 0.5 mm, 1 mm, 5 mm, 10 mm, 20 mm and 40 mm
Lens adapter c-mount		
2-90-414	CS to C-mount adapter 5.0 mm	for connecting C-mount lenses with CS-mount cameras, length: 5 mm
Neutral density filter		
2-91-250	ND filter 3.0 M40.5x0.5	optical density 3.0 - 0.1% transmission, f-stop reduction 10, filter thread M40.5x0.5
2-91-240	ND filter 1.2 M40.5x0.5	optical density 1.2 - 6.3% transmission, f-stop reduction 4, filter thread M40.5x0.5
2-91-230	ND filter 0.6 M40.5x0.5	optical density 0.6 - 25% transmission, f-stop reduction 2, filter thread M40.5x0.5
Daylight blocking filter		
2-91-210	IR filter M40.5x0.5	long-pass filter from 830 nm, daylight absorbing filter, filter thread M40.5x0.5
Polarising filters		
2-91-220	Pole filter M40.5x0.5	linear polarizing filter, range 420 nm - 780 nm, filter thread M40.5x0.5
Colour filter blue		
2-91-288	Colour filter blue M40.5x0.5	band-pass filter, range 350 nm - 600 nm, filter thread M40.5x0.5
UV Cut-Off Filter		
2-91-200	UV blocking filter M40.5x0.5	long-pass filter from 350 nm, usable as protective glass, filter thread M40.5x0.5
Colour filter red		
2-91-268	Colour filter red M40.5x0.5	long-pass filter from 630 nm, red, filter thread M40.5x0.5

Order number	Title	Description
<i>Colour filter green</i>		
2-91-301	Colour filter green M40.5x0.5	band-pass filter, range 430 nm - 620 nm, filter thread M40.5x0.5
<i>Colour filter yellow</i>		
2-91-275	Colour filter yellow M40.5x0.5	long-pass filter from 530 nm, yellow, filter thread M40.5x0.5

Drawings



SPEC. SHEET	FL-CC0814A-2M
	K655-X001-B44
RICOH	Oct.10.2013

Dimensional drawing in mm