
vicotar® Telecentric Lens - T151/0.44

Short description:	Telecentric Lens, C-mount, Sensor opt. 1.2", variable aperture, W/NIR
Order number:	2-05-327 This product is being replaced!
EAN:	4251692620427
Actual Notice:	Termination to 31.12.2022. Please check the use of: TO42/21.4-120-V- BWW (2-05-626)



Characteristics

- telecentric measurement objective with object-sided telecentric beam path
 - high-quality imaging
 - color-optimized and bright
 - adjustable aperture, arrestable
 - robust industrial design
-

Technical data

Image scale	0.436
Spectral range	380 nm - 900 nm
Working distance	200.0 mm
Object field diagonal (max.)	48.9 mm
Sensor format (opt.)	1.2"
Aperture	Variable aperture
Lens mount	C-Mount
Filter thread, object-side	M52 x 0.75 (depth 4.3 mm)
Weight	407 g
Usable object field with:	
• Sensor type 4/3 (17.3 x 13.0 mm ²)	39.2 mm x 29.3 mm
• 1" sensor (12.8 x 9.6 mm ²)	29.3 mm x 22.0 mm
• 2/3" sensor (8.8 x 6.6 mm ²)	20.1 mm x 15.1 mm
• 1/1.8" sensor (7.1 x 5.4 mm ²)	16.5 mm x 12.3 mm

Can be combined with

Order number	Title	Description
<i>TZB51-UDC-a Serie</i>		
1-10-941	TZB51-B470/UDC/-a	telecentric light, blue, lf diameter: 49 mm, flashable by flash controller
1-10-942	TZB51-W5K7/UDC/-a	telecentric light, white, lf diameter: 49 mm, flashable by flash controller
1-10-943	TZB51-IR880/UDC/-a	telecentric light, IR850, lf diameter: 49 mm, flashable by flash controller
1-10-940	TZB51-R625/UDC/-a	telecentric light, red, lf diameter: 49 mm, flashable by flash controller
1-10-944	TZB51-G525/UDC/-a	telecentric light, green, lf diameter: 49 mm, flashable by flash controller
<i>TZB51 series</i>		
1-10-201	TZB51-B470-24V	telecentric light, blue, lf diameter: 49 mm, static, cable open-ended
1-10-198	TZB51-W5K7-24V	telecentric light, white, lf diameter: 49 mm, static, cable open-ended
1-10-202	TZB51-IR880-24V	telecentric light, IR850, lf diameter: 49 mm, static, cable open-ended
1-10-200	TZB51-R625-24V	telecentric light, red, lf diameter: 49 mm, static, cable open-ended
1-10-215	TZB51-G525-24V	telecentric light, green, lf diameter: 49 mm, static, cable open-ended
<i>Beam splitter STE60x60</i>		
1-20-050	STE60x60-VIS	Beam splitter unit for coaxial light system, optimized for 450-700 nm
1-20-022	Adapter STE60x60 - TZO56	Attachment of the STE60x60 to telecentric lenses and lightings with d = 56mm

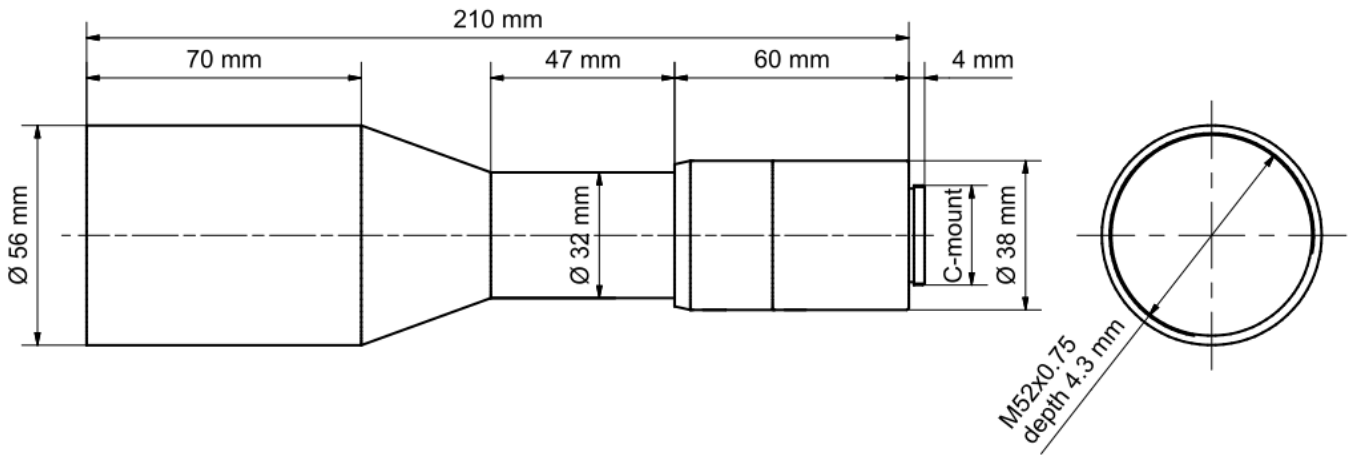
Accessories for Telecentric Lenses - T151/0.44

Order number	Title	Description
<i>Lens mount</i>		

Order number	Title	Description
2-90-125	Lens Holder d32-30	Holder for telecentric lenses and lightings with d = 32 mm, with 30 mm extn.
Extension tubes		
2-90-415	Extension ring 0.5 mm	26 x 31 x 0.5 reduces the minimum object distance (MOD)
2-90-416	Extension ring 1.0 mm	26 x 31 x 1.0 reduces the minimum object distance (MOD)
Thread adapter c-mount		
5-00-011	Thread adapter C-Mount-M42	Adapter for mounting of lenses with C-mount on cameras with M42x1 mount
2-90-414	CS to C-mount adapter 5.0 mm	for connecting C-mount lenses with CS-mount cameras, length: 5 mm
Neutral density filter		
2-91-174	ND filter 3.0 M52x0.75	optical density 3.0 - 0.1% transmission, f-stop reduction 10, filter thread M52x0.75
2-91-164	ND filter 1.2 M52x0.75	optical density 1.2 - 6.3% transmission, f-stop reduction 4, filter thread M52x0.75
2-91-154	ND filter 0.6 M52x0.75	optical density 0.6 - 25% transmission, f-stop reduction 2, filter thread M52x0.75
Daylight blocking filter		
2-91-131	IR filter M20.5x0.5	long-pass filter from 830 nm, daylight absorbing filter, filter thread M20.5x0.5
2-91-134	IR filter M52x0.75	long-pass filter from 830 nm, daylight absorbing filter, filter thread M52x0.75
Polarising filters		
2-91-144	Pole filter M52x0.75	linear polarizing filter, range 420 nm - 780 nm, filter thread M52x0.75
Colour filter blue		
2-91-290	Colour filter blue M52x0.75	band-pass filter, range 350 nm - 600 nm, filter thread M52x0.75
UV Cut-Off Filter		
2-91-124	UV blocking filter M52x0.75	long-pass filter from 350 nm, usable as protective glass, filter thread M52x0.75

Order number	Title	Description
<i>Colour filter red</i>		
2-91-259	Colour filter red M20.5x0.5	long-pass filter from 630 nm, red, filter thread M20.5x0.5
2-91-262	Colour filter red M52x0.75	long-pass filter from 630 nm, red, filter thread M52x0.75
<i>Colour filter green</i>		
2-91-303	Colour filter green M52x0.75	band-pass filter, range 430 nm - 620 nm, filter thread M52x0.75
<i>Colour filter yellow</i>		
2-91-277	Colour filter yellow M52x0.75	long-pass filter from 530 nm, yellow, filter thread M52x0.75
<i>Deflection mirror 90° series</i>		
2-25-115	Deflection mirror 90-56	90° deflection, attachment for telecentric lenses and lightings with d = 56 mm
<i>Adapters for attaching lights to lenses</i>		
1-29-676	Adapter ring d41 - M52x0.75	for R-CLR-69x41 and RK2036, for attachment to lenses with filter thread M52x0.75
1-29-772	Adapter ring d73 - M52x0.75	for R-CLR-100x73 und RK3652, for attachment to lenses with filter thread M52x0.75
1-29-870	Adapter ring d104 - M52x0.75	for R-CLR-132x104 and RK5268, for attachment to lenses with filter thread M52x0.75
<i>Beam splitter STE60x60</i>		
1-20-022	Adapter STE60x60 - TZO56	Attachment of the STE60x60 to telecentric lenses and lightings with d = 56mm

Drawings



Dimensional drawing in mm