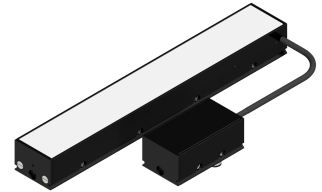

vicolux® Bar Light - LAL14x125-W5K7/24V/EX/-a- Luminous Field Size 14 mm x 125 mm

Short description: bar light, white, directed, lf-size: 14 mm x 125 mm, static/switchable, external

Order number: 1-34-618

EAN: 4251692677124



Characteristics

- LED bar light with direct illumination
 - homogeneous illumination
 - lighting controller external
 - continuous or pulsed operation
 - brightness pre-set, flash duration corresponds to pulse-length
 - connection: M5 plug at lighting controller
 - metal casing, optical material: PMMA
 - multiple mounting options
 - new improved version ("-a")
-

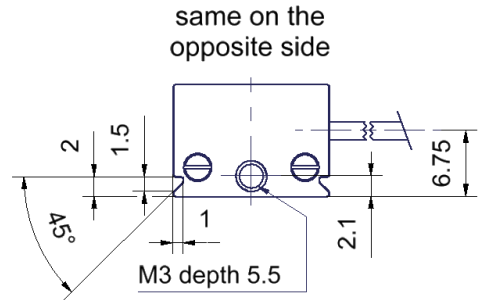
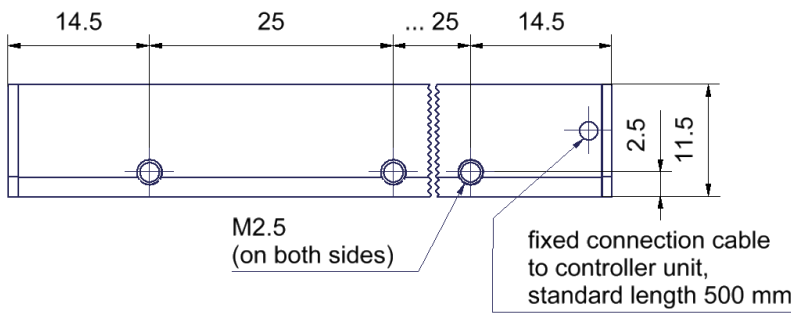
Technical data

Luminous field	14 mm x 125 mm
Light colour	White, 5700 K
Light design	Directed
Irradiance	18 W/m ²
Illumination	6000 lx
Operation voltage	24 VDC (12 - 30 V)
Ambient temperature	-10°C bis +45°C
Degree of protection	IP50
Housing material	Aluminium black anodised
Weight	57 g
Risk group (DIN EN 62471)	Freie Gruppe
Safety class	III, Betrieb an Schutzkleinspannung

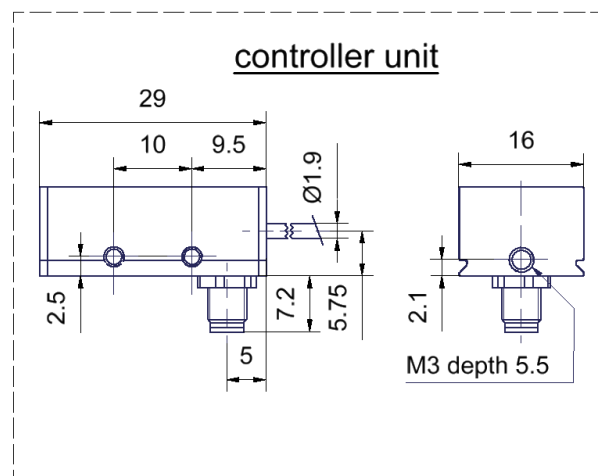
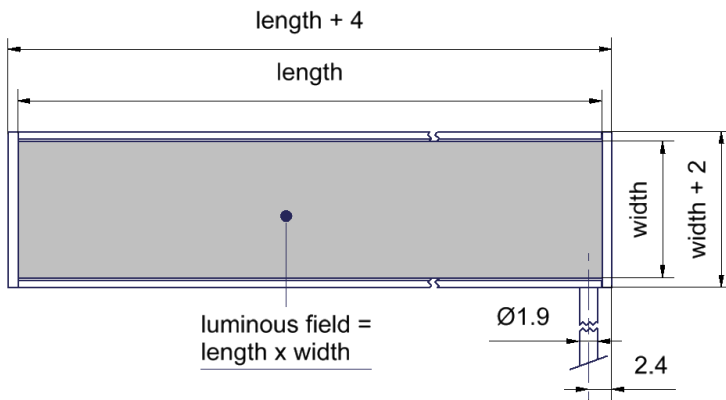
Accessories for Area and Bar lights - LAL14x125-W5K7/24V/EX/-a

Order number	Title	Description
Mounting Systems		
1-16-827	Tension clamp LxL14 series	for variable attachment and extension of the LxL14 series, l=25mm, w=24mm
Polarisers for 14 mm Bar Lights		
1-16-925	Polarizer 14x125, linear	for LxL14x125, 400 - 700 nm, plate thickness 0.2 mm, self-adhesive
Connection cable M5-4pin		
1-11-117	Cable-M5-4p-1A-straight-2m	4x0.14mm ² , 1A, 60V, PUR, IP67, M5-4pin straight socket to free cable end
1-11-116	Cable-M5-4p-1A-straight-5m	4x0.14mm ² , 1A, 60V, PUR, IP67, M5-4pin straight socket to free cable end
1-11-105	Cable-M5-4p-1A-angled-2m	4x0.14mm ² , 1A, 60V, PUR, IP67, M5-4pin angled socket to free cable end
1-11-104	Cable-M5-4p-1A-angled-5m	4x0.14mm ² , 1A, 60V, PUR, IP67, M5-4pin angled socket to free cable end

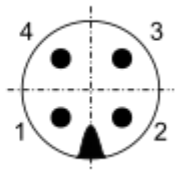
Drawings



light unit



Dimensional drawing in mm: length = 125 mm; width = 14 mm

Funktion	Belegung	Kabelfarbe*	Pin	Polbild
Betriebsspannung	V+	braun	1	
Masse	GND	blau	3	
Schalteingang	ON/OFF	schwarz	4	
Nicht belegt	NC	weiß	2	

* für empfohlenes Zubehör

Pin assignments, M5 connector