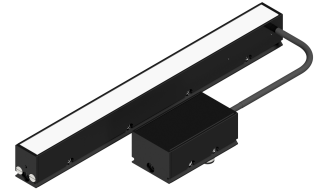

vicolux® Bar Light - LLL7x150-IR850/24V/EX/-a- Luminous Field Size 7 mm x 150 mm

Short description:	bar light, IR850, lenticular, lf-size: 7 mm x 150 mm, static/switchable, external
Order number:	1-34-587
EAN:	4251692676851



Characteristics

- LED bar light with direct illumination and focusing lenticular lens
 - homogeneous illumination
 - lighting controller external
 - continuous or pulsed operation
 - brightness pre-set, flash duration corresponds to pulse-length
 - connection: M5 plug at lighting controller
 - metal casing, optical material: PMMA
 - multiple mounting options
 - new improved version ("-a")
-

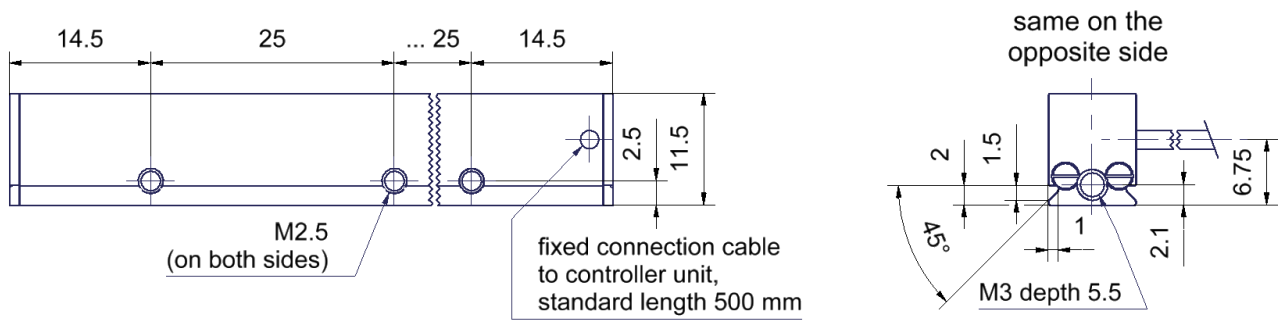
Technical data

Luminous field	7 mm x 150 mm
Light colour	Infrared, 850 nm
Light design	Lenticular
Irradiance	76 W/m ²
Operation voltage	24 VDC (12 - 30 V)
Ambient temperature	-10°C bis +45°C
Degree of protection	IP50
Housing material	Aluminium black anodised
Weight	40 g
Risk group (DIN EN 62471)	Freie Gruppe
Safety class	III, Schutzkleinspannung (SELV)

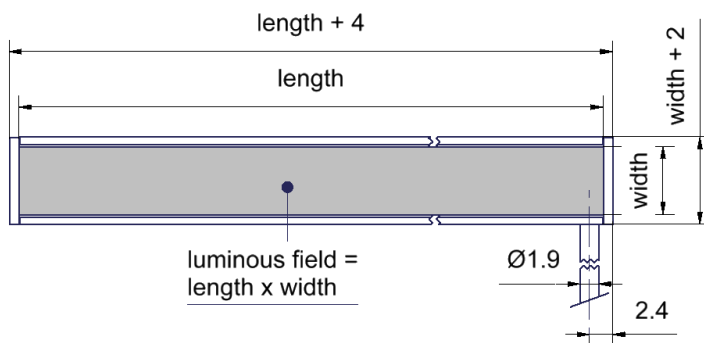
Accessories for Area and Bar lights - LLL7x150-IR850/24V/EX/-a

Order number	Title	Description
Mounting Systems		
1-16-826	Tension clamp LxL7 series	for variable attachment and extension of the LxL7 series, l=25mm, w=17mm
Polarisers for 7 mm Bar Lights		
1-16-906	Polarizer 7x150, linear	for LxL7x150, 400 - 700 nm, plate thickness 0.2 mm, self-adhesive
Connection cable M5-4pin		
1-11-117	Cable-M5-4p-1A-straight-2m	4x0.14mm ² , 1A, 60V, PUR, IP67, M5-4pin straight socket to free cable end
1-11-116	Cable-M5-4p-1A-straight-5m	4x0.14mm ² , 1A, 60V, PUR, IP67, M5-4pin straight socket to free cable end
1-11-105	Cable-M5-4p-1A-angled-2m	4x0.14mm ² , 1A, 60V, PUR, IP67, M5-4pin angled socket to free cable end
1-11-104	Cable-M5-4p-1A-angled-5m	4x0.14mm ² , 1A, 60V, PUR, IP67, M5-4pin angled socket to free cable end

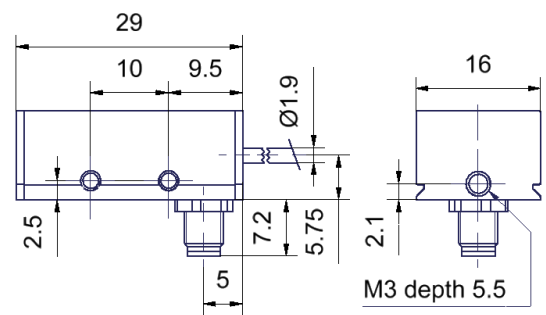
Drawings



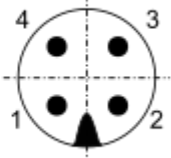
light unit



controller unit



Dimensional drawing in mm: length = 150 mm; width = 7 mm

Function	Symbol	Cable Colour*	Pin	Contact arrangement
Operating Voltage	V+	brown	1	
Ground	GND	blue	3	
Switch Input	ON/OFF	black	4	
Not connected	NC	white	2	

* for recommended accessories

Pin assignments, M5 connector