

---

## vicolux® Bar Light - LAL14x50-IR850/UDC/-a- Luminous Field Size 14 mm x 50 mm

---

**Short description:** bar light, IR850, directed, lf-size: 14 mm x 50 mm, flashable by flash controller

**Order number:** 1-34-049

**EAN:** 4251692674475



---

### Characteristics

- LED bar light with direct illumination
  - homogeneous illumination
  - safe operation due to vicolux® smart light Controller (e.g. DLC3005)
  - metal casing, optical material: PMMA
  - multiple mounting options
  - connection: cable with M8 connector, cable outlet left
  - Alternative: cable outlet right (Order no. 1-34-249)
  - new improved version ("-a")
-

---

## Technical data

Luminous field	14 mm x 50 mm
Light colour	Infrared, 850 nm
Light design	Directed
Special feature	Flashable with flash controller
Degree of protection	IP50
Safety class	III, operation on protective low voltage
Risk group (DIN EN 62471)	Risk group 0 (exempt group)
Ambient temperature	-10°C bis +45°C
Housing material	Aluminium black anodised
Weight	35 g
Continuous operation	
Power consumption	max. 1.0 W
• Irradiance	140 W/m <sup>2</sup>
Flash mode	
• Power consumption	max. 1.0 W
• Irradiance	2870 W/m <sup>2</sup>

---

## Can be combined with

Order number	Title	Description
<b>LED Controller DLC3005</b>		
1-30-202	DLC3005	LED lighting controller, digital, cont./flash current: 4.8A/18A, wall mounting
1-30-209	DLC3005-R	LED lighting controller, digital, cont./flash current: 4.8A/18A, DIN rail mounting

## Accessories for Area and Bar lights - LAL14x50-IR850/UDC/-a

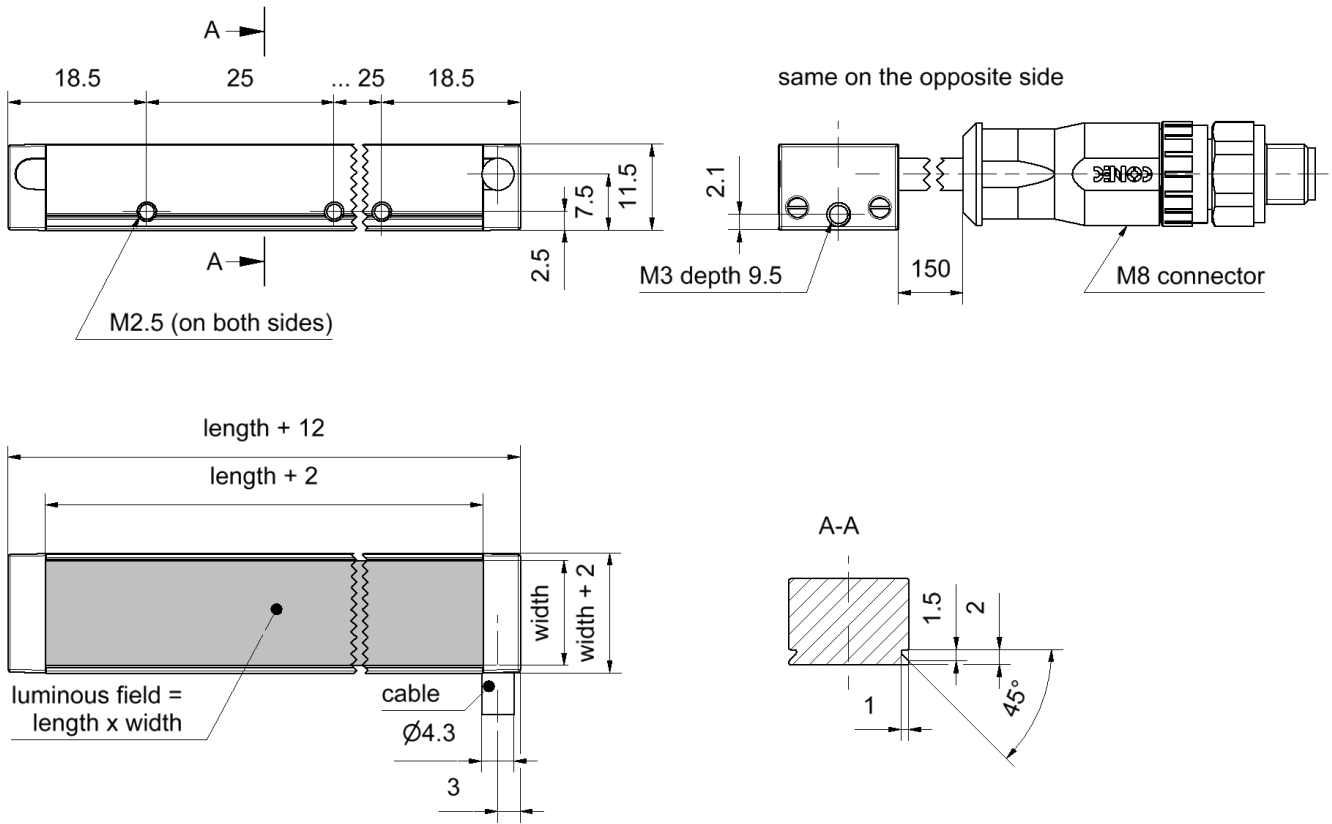
Order number	Title	Description
<b>Mounting Systems</b>		
1-16-827	Tension clamp LxL14 series	for variable attachment and extension of the LxL14 series, l=25mm, w=24mm
<b>Polarisers for 14 mm Bar Lights</b>		
1-16-922	Polarizer 14x50, linear	for LxL14x50, 400 - 700 nm, plate thickness 0.2 mm, self-adhesive
<b>Connection cable M8-4pin</b>		
1-11-611	Cable-M8-4p-5A-straight-1m	4x0.5mm <sup>2</sup> , 5A, 30V, PUR, IP67, M8-4pin straight socket to free cable end
1-11-612	Cable-M8-4p-5A-straight-2m	4x0.5mm <sup>2</sup> , 5A, 30V, PUR, IP67, M8-4pin straight socket to free cable end
1-11-613	Cable-M8-4p-5A-straight-3m	4x0.5mm <sup>2</sup> , 5A, 30V, PUR, IP67, M8-4pin straight socket to free cable end
1-11-614	Cable-M8-4p-5A-straight-5m	4x0.5mm <sup>2</sup> , 5A, 30V, PUR, IP67, M8-4pin straight socket to free cable end
1-11-609	Cable-M8-4p-4A-straight-5m	4x0.25mm <sup>2</sup> , 4A, 60V, PUR, IP67, M8-4pin straight socket to free cable end
1-11-605	Cable-M8-4p-4A-angled-2m	4x0.25mm <sup>2</sup> , 4A, 60V, PUR, IP67, M8-4pin angled socket to free cable end
1-11-604	Cable-M8-4p-4A-angled-5m	4x0.25mm <sup>2</sup> , 4A, 60V, PUR, IP67, M8-4pin angled socket to free cable end
<b>Extension cable M8-4pin</b>		

---

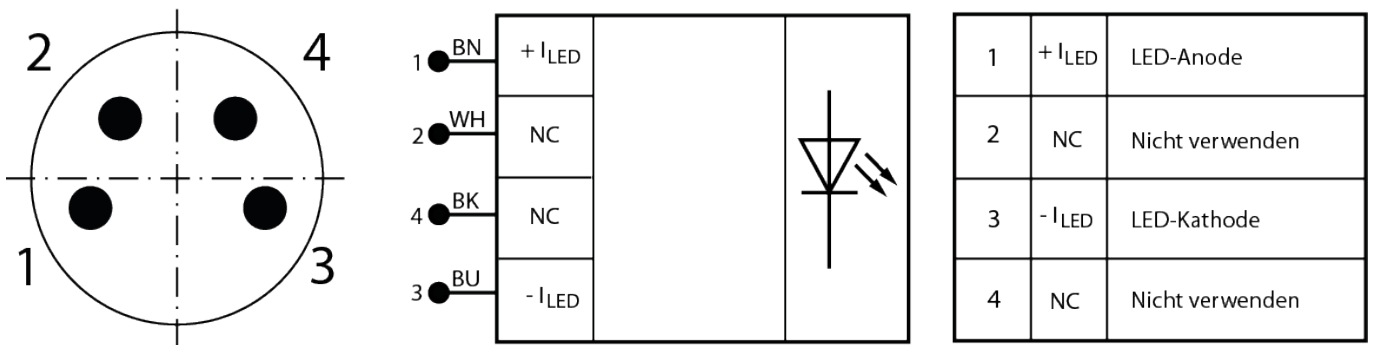
<b>Order number</b>	<b>Title</b>	<b>Description</b>
1-11-093	Extension cable-M8-4p-5A-0.6m	4x0.5mm <sup>2</sup> , 5A, 30V, PUR, IP67, M8-4pin straight socket to M8-4pin straight plug
1-11-094	Extension cable-M8-4p-5A-1.5m	4x0.5mm <sup>2</sup> , 5A, 30V, PUR, IP67, M8-4pin straight socket to M8-4pin straight plug
1-11-095	Extension cable-M8-4p-5A-3.0m	4x0.5mm <sup>2</sup> , 5A, 30V, PUR, IP67, M8-4pin straight socket to M8-4pin straight plug

---

**Drawings**



Dimensional drawing in mm: length = 50 mm; width = 14 mm



Pin assignments, M8 connector