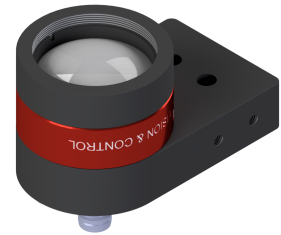

vicolux® Spot Light - SLE-150-W5K7-P-24V

Short description: compact spot light, white, P-LED, variable work distance, condenser l., 24V, switchable

Order number: 1-33-311

EAN: 4251692648179



Characteristics

- efficient LED spot illumination with imaging condenser optics
 - compact, thermally optimized design
 - high light output focused on small beam angle
 - high uniformity in light distribution
 - the pronounced mounting surface enables optimum heat dissipation
 - robust, without movable adjustment elements
 - the high light intensity as well as the optical design allow the use also at variable working distance
 - 24V: continuous and pulse operation
 - also available as flashable high-power variant
 - developed for the requirements of industrial image processing
-

Technical data

Beam angle	40°
Luminous field diameter ¹	150 mm
Light colour (typ.)	Weiss, 5700 K
Operating mode	Continuous operation Switching operation
Operation voltage	24 VDC (19 - 29 V)
Power consumption	max. 3.5 W

Continuous operation

• Irradiance ¹	15.8 W/m ²
• Illuminance ¹	4.6 klx
• Radiance ²	130.7 kW/m ² sr
• luminance ²	37.8 Mcd/m ²
Housing material	Aluminium, black anodised
Optical material	Glass
Filter thread	M28 x 0.5
Weight	68.5 g
Degree of protection	IP 50
Safety class	III, Sicherheitskleinspannung (SELV)
Risk group (DIN EN 62471)	Risk group 2
Ambient temperature	-10 °C bis +45 °C

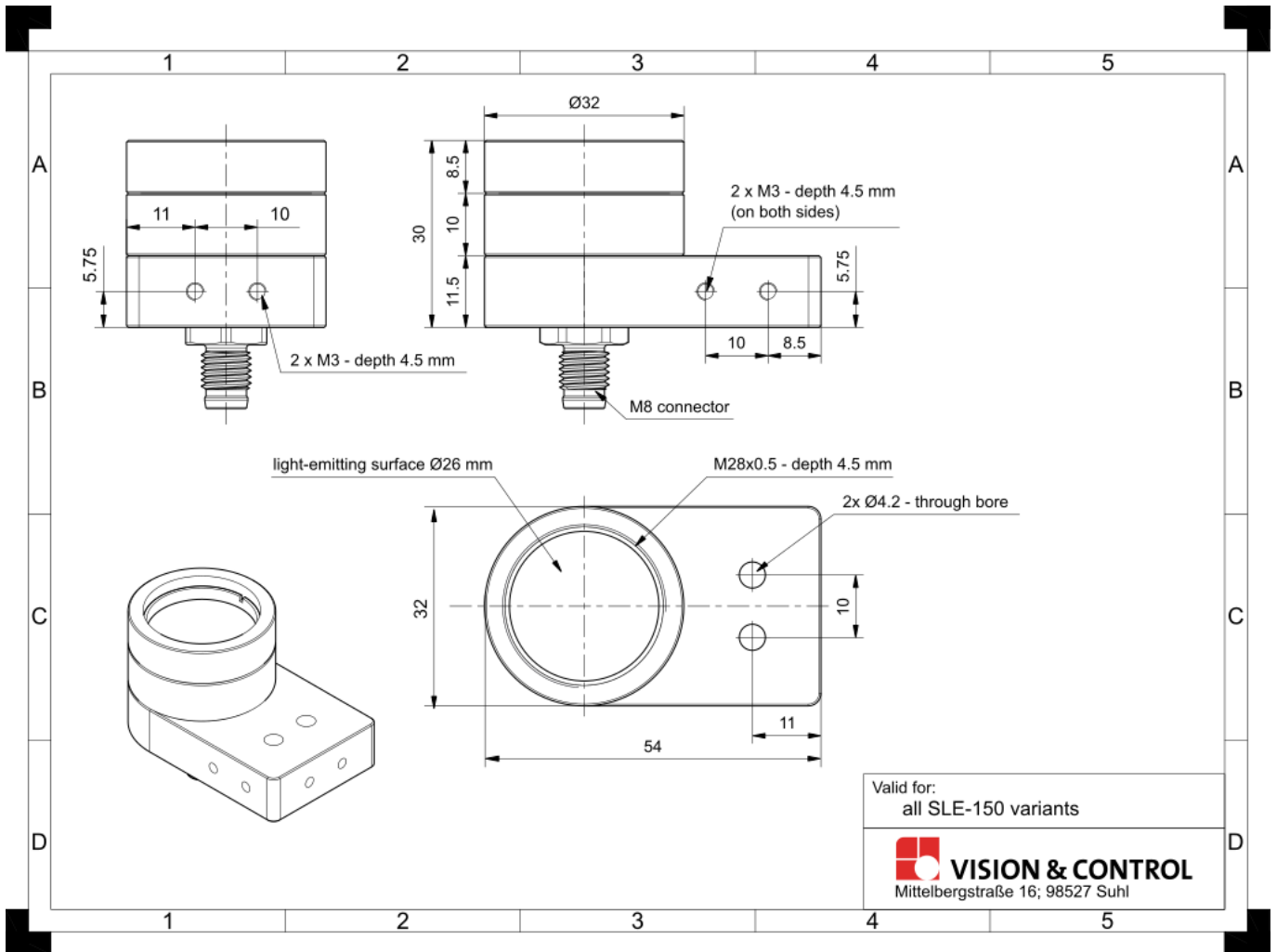
¹ at 200 mm working distance

² at 11 mrad

Accessories for Spot lights - SLE-150-W5K7-P-24V

Order number	Title	Description
Connection cable M8-4pin		
1-11-611	Cable-M8-4p-5A-straight-1m	4x0.5mm ² , 5A, 30V, PUR, IP67, M8-4pin straight socket to free cable end
1-11-612	Cable-M8-4p-5A-straight-2m	4x0.5mm ² , 5A, 30V, PUR, IP67, M8-4pin straight socket to free cable end
1-11-613	Cable-M8-4p-5A-straight-3m	4x0.5mm ² , 5A, 30V, PUR, IP67, M8-4pin straight socket to free cable end
1-11-614	Cable-M8-4p-5A-straight-5m	4x0.5mm ² , 5A, 30V, PUR, IP67, M8-4pin straight socket to free cable end
1-11-609	Cable-M8-4p-4A-straight-5m	4x0.25mm ² , 4A, 60V, PUR, IP67, M8-4pin straight socket to free cable end
1-11-607	Cable-M8-4p-4A-straight-10m	4x0.25mm ² , 4A, 60V, PUR, IP67, M8-4pin straight socket to free cable end
1-11-605	Cable-M8-4p-4A-angled-2m	4x0.25mm ² , 4A, 60V, PUR, IP67, M8-4pin angled socket to free cable end
1-11-604	Cable-M8-4p-4A-angled-5m	4x0.25mm ² , 4A, 60V, PUR, IP67, M8-4pin angled socket to free cable end
1-11-606	Cable-M8-4p-4A-angled-10m	4x0.25mm ² , 4A, 60V, PUR, IP67, M8-4pin angled socket to free cable end
Extension cable M8-4pin		
1-11-093	Extension cable-M8-4p-5A-0.6m	4x0.5mm ² , 5A, 30V, PUR, IP67, M8-4pin straight socket to M8-4pin straight plug
1-11-094	Extension cable-M8-4p-5A-1.5m	4x0.5mm ² , 5A, 30V, PUR, IP67, M8-4pin straight socket to M8-4pin straight plug
1-11-095	Extension cable-M8-4p-5A-3.0m	4x0.5mm ² , 5A, 30V, PUR, IP67, M8-4pin straight socket to M8-4pin straight plug
Power supply		
4-40-218	Power supply 24V-120W-5A	for DIN rail mounting, without connection cable, type: SDR-120-24

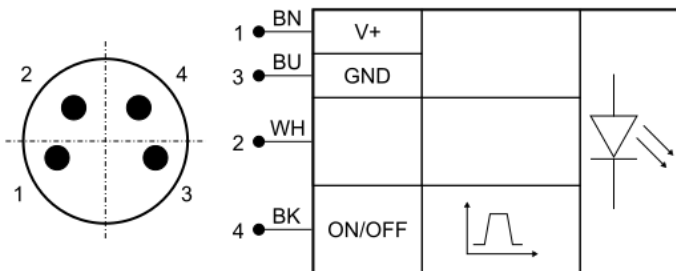
Drawings



Valid for:
all SLE-150 variants



Dimensional drawing in mm



Pin	Core colour	Signal	Description
1	BN (brown)	V+	Operating voltage
2	WH (white)	NC	Do not use
3	BU (blue)	GND	Ground
4	BK (black)	ON/OFF	Switch input

Pin assignment: M8 connector