
vicolux® Telecentric Light - TZB10-B450-HP-24V

Short description: telecentric light, blue, If diameter: 10 mm, 24V, switchable, high power

Order number: 1-33-282

EAN: 4251692647127



Characteristics

- telecentric LED lighting - parallel (collimated) beam path
 - for the detection of inclusions and defects in transparent materials such as gemstones
also suitable for the targeted highlighting of edges and surface structures in incident light
 - ideal as backlight in combination with telecentric lenses
 - low divergence, high light output
 - lighting controller integrated in the housing - brightness pre-set
 - connection: M8 plug on the casing
 - diverse attachment options and extensive accessories
-

Technical data

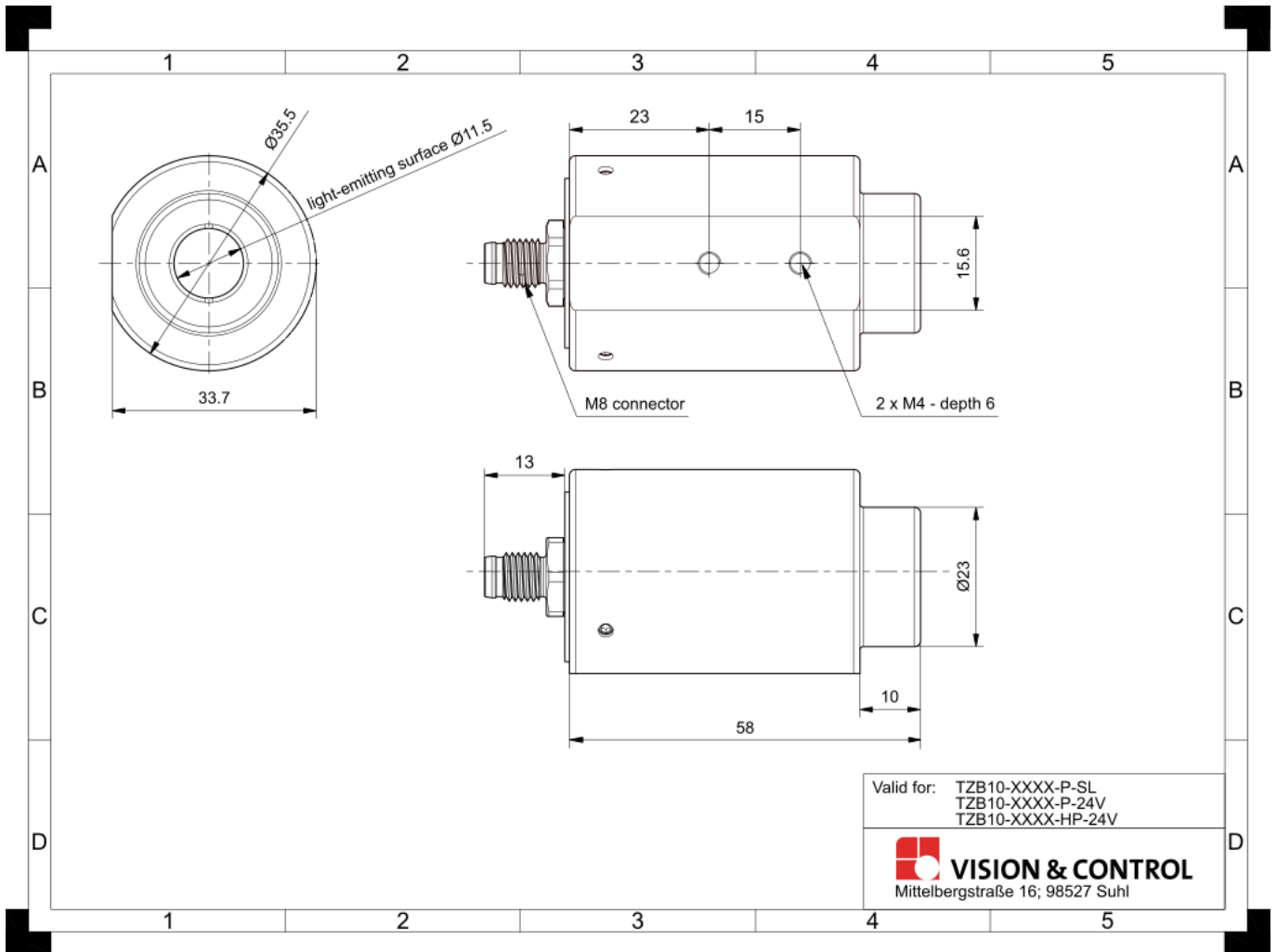
Light-emitting surface	Diameter: 11.5 mm
Light design	Telecentric
Light colour (typ.)	Blue, 450 nm
Operating mode	Continuous operation Switching operation
Operation voltage	24 VDC (19 - 29 V)
Power consumption	max. 3.56 W (146 mA at 24 VDC)
Continuous operation	
• Irradiance ¹	208 W/m ²
• Illuminance ¹	4.9 lx
• Radiance ²	284.5 kW/(m ² sr)
• luminance ²	6.7 Mcd/m ²
Housing material	Aluminium, black anodised
Optical material	Glass
Filter thread	-
Weight	98 g
Degree of protection	IP 50
Safety class	Class III, safety extra low voltage (SELV)
Risk group (DIN EN 62471)	Freie Gruppe
Ambient temperature	0 °C ... 45 °C
¹	bei 200 mm Arbeitsabstand
²	bei 11 mrad

Accessories for Telecentric lights - TZB10-B450-HP-24V

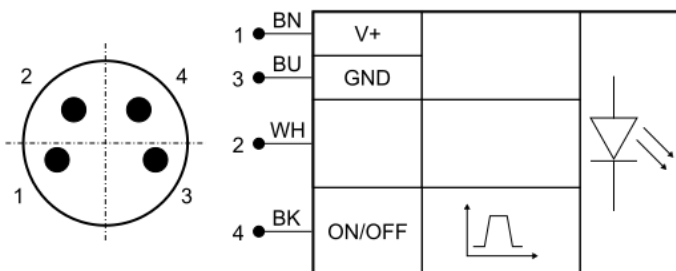
Order number	Title	Description
<i>Lens mount</i>		
2-90-124	Lens Holder d35,5	Holder for telecentric lenses and lightings with d = 35,5 mm
<i>Polarising filters</i>		
2-91-227	Pole filter M30.5x0.5	linear polarizing filter, range 420 nm - 780 nm, filter thread M30.5x0.5
<i>Filter adapter</i>		
2-91-190	Filter adapter d23-M30.5	slip-on adapter for use of a M30.5x0.5 filter on lenses with 23 mm clamping diameter
<i>Deflection mirror 90° series</i>		
2-25-111	Deflection mirror 90-23	90° deflection, attachment for telecentric lenses and lightings with d = 23 mm
<i>Connection cable M8-4pin</i>		
1-11-611	Cable-M8-4p-5A-straight-1m	4x0.5mm ² , 5A, 30V, PUR, IP67, M8-4pin straight socket to free cable end
1-11-612	Cable-M8-4p-5A-straight-2m	4x0.5mm ² , 5A, 30V, PUR, IP67, M8-4pin straight socket to free cable end
1-11-613	Cable-M8-4p-5A-straight-3m	4x0.5mm ² , 5A, 30V, PUR, IP67, M8-4pin straight socket to free cable end
1-11-614	Cable-M8-4p-5A-straight-5m	4x0.5mm ² , 5A, 30V, PUR, IP67, M8-4pin straight socket to free cable end
1-11-609	Cable-M8-4p-4A-straight-5m	4x0.25mm ² , 4A, 60V, PUR, IP67, M8-4pin straight socket to free cable end
1-11-607	Cable-M8-4p-4A-straight-10m	4x0.25mm ² , 4A, 60V, PUR, IP67, M8-4pin straight socket to free cable end
1-11-605	Cable-M8-4p-4A-angled-2m	4x0.25mm ² , 4A, 60V, PUR, IP67, M8-4pin angled socket to free cable end
1-11-604	Cable-M8-4p-4A-angled-5m	4x0.25mm ² , 4A, 60V, PUR, IP67, M8-4pin angled socket to free cable end
1-11-606	Cable-M8-4p-4A-angled-10m	4x0.25mm ² , 4A, 60V, PUR, IP67, M8-4pin angled socket to free cable end
<i>Extension cable M8-4pin</i>		

Order number	Title	Description
1-11-093	Extension cable-M8-4p-5A-0.6m	4x0.5mm ² , 5A, 30V, PUR, IP67, M8-4pin straight socket to M8-4pin straight plug
1-11-094	Extension cable-M8-4p-5A-1.5m	4x0.5mm ² , 5A, 30V, PUR, IP67, M8-4pin straight socket to M8-4pin straight plug
1-11-095	Extension cable-M8-4p-5A-3.0m	4x0.5mm ² , 5A, 30V, PUR, IP67, M8-4pin straight socket to M8-4pin straight plug
<i>Power supply</i>		
4-40-218	Power supply 24V-120W-5A	for DIN rail mounting, without connection cable, type: SDR-120-24

Drawings



Dimensional drawing in mm



Pin	Core colour	Signal	Description
1	BN (brown)	V+	Operating voltage
2	WH (white)	NC	Do not use
3	BU (blue)	GND	Ground
4	BK (black)	ON/OFF	Switch input

Pin assignment: M8 connector