

---

## vicolux® Telecentric Light - TZB28-IR850-P-24V

---

<b>Short description:</b>	telecentric light, IR850, If diameter: 28 mm, 24V, switchable
<b>Order number:</b>	1-33-241
<b>EAN:</b>	4251692647011



---

### Characteristics

- telecentric LED lighting - parallel (collimated) beam path
  - specially developed for optical measurement technology; also suitable for the targeted highlighting of edges and surface structures in transmitted light
  - ideal as backlight in combination with telecentric lenses
  - very low divergence
  - lighting controller integrated in the housing - brightness pre-set
  - connection: M8 plug on the casing
  - diverse attachment options and extensive accessories
-

## Technical data

Light-emitting surface	Diameter: 28 mm
Light design	Telecentric
Light colour (typ.)	Infrared, 850 nm
Operating mode	Continuous operation Switching operation
Operation voltage	24 VDC (19 - 29 V)
Power consumption	max. 0.6 W (25 mA at 24 VDC)
<b>Continuous operation</b>	
• Irradiance <sup>1</sup>	0.4 W/m <sup>2</sup>
• Illuminance <sup>1</sup>	-
• Radiance <sup>2</sup>	1.4 kW/m <sup>2</sup> sr
• luminance <sup>2</sup>	-
Housing material	Aluminium, black anodised
Optical material	Glass
Filter thread	-
Weight	170 g
Degree of protection	IP 50
Safety class	Class III, safety extra low voltage (SELV)
Risk group (DIN EN 62471)	Freie Gruppe
Ambient temperature	0 °C ... 45 °C
<sup>1</sup>	bei 200 mm Arbeitsabstand
<sup>2</sup>	bei 11 mrad

## Accessories for Telecentric lights - TZB28-IR850-P-24V

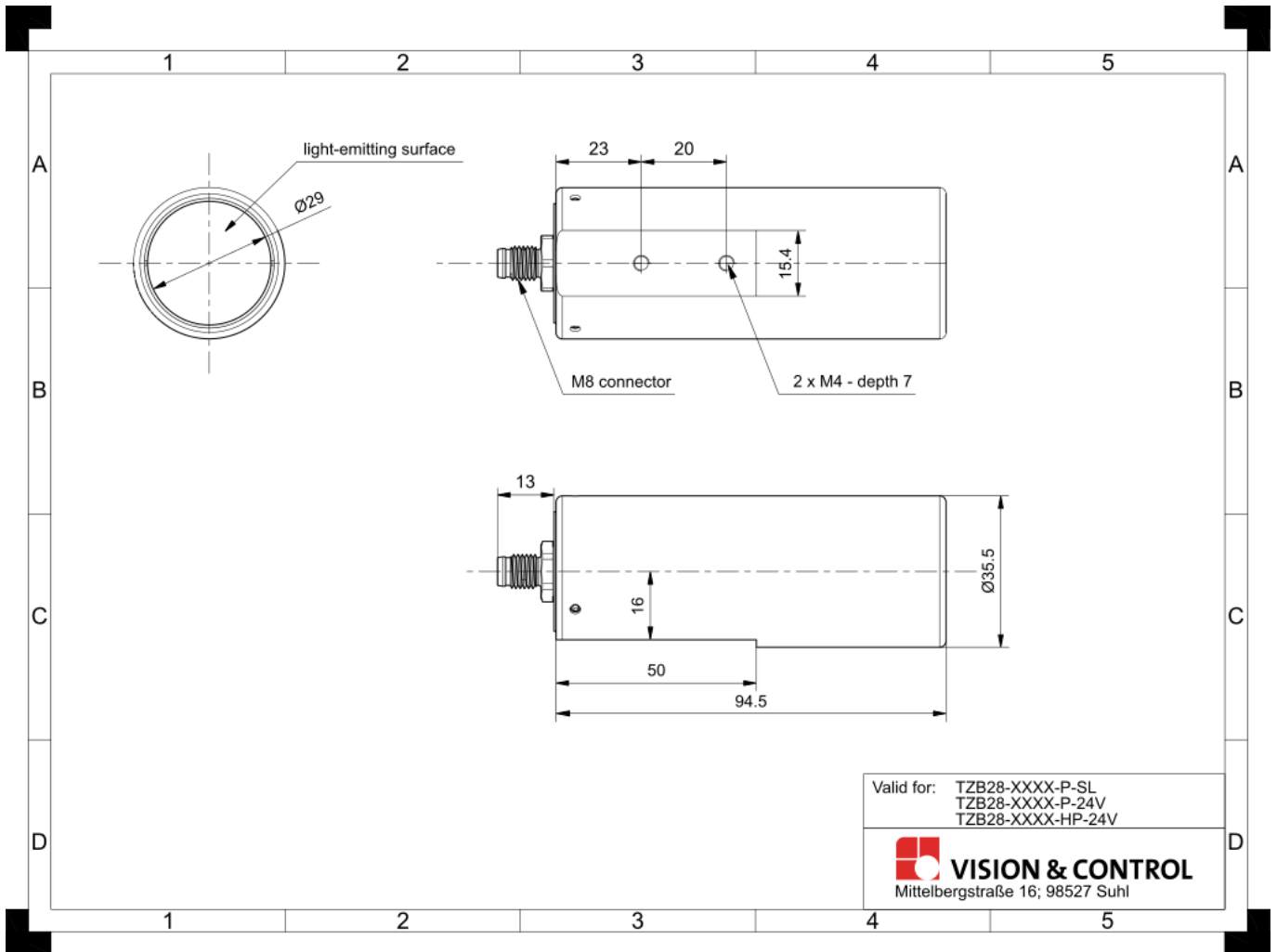
Order number	Title	Description
<b><i>Lens mount</i></b>		
2-90-124	Lens Holder d35,5	Holder for telecentric lenses and lightings with d = 35,5 mm
<b><i>Polarising filters</i></b>		
2-91-227	Pole filter M30.5x0.5	linear polarizing filter, range 420 nm - 780 nm, filter thread M30.5x0.5
<b><i>Filter adapter</i></b>		
2-91-188	Filter adapter d35.5-M30.5	slip-on adapter for use of a M30.5x0.5 filter on lenses with 35.5 mm clamping diameter
<b><i>Deflection mirror 90° series</i></b>		
2-25-116	Deflection mirror 90-35.5	90° deflection, attachment for telecentric lenses and lightings with d = 35.5 mm
<b><i>Connection cable M8-4pin</i></b>		
1-11-611	Cable-M8-4p-5A-straight-1m	4x0.5mm <sup>2</sup> , 5A, 30V, PUR, IP67, M8-4pin straight socket to free cable end
1-11-612	Cable-M8-4p-5A-straight-2m	4x0.5mm <sup>2</sup> , 5A, 30V, PUR, IP67, M8-4pin straight socket to free cable end
1-11-613	Cable-M8-4p-5A-straight-3m	4x0.5mm <sup>2</sup> , 5A, 30V, PUR, IP67, M8-4pin straight socket to free cable end
1-11-614	Cable-M8-4p-5A-straight-5m	4x0.5mm <sup>2</sup> , 5A, 30V, PUR, IP67, M8-4pin straight socket to free cable end
1-11-609	Cable-M8-4p-4A-straight-5m	4x0.25mm <sup>2</sup> , 4A, 60V, PUR, IP67, M8-4pin straight socket to free cable end
1-11-607	Cable-M8-4p-4A-straight-10m	4x0.25mm <sup>2</sup> , 4A, 60V, PUR, IP67, M8-4pin straight socket to free cable end
1-11-605	Cable-M8-4p-4A-angled-2m	4x0.25mm <sup>2</sup> , 4A, 60V, PUR, IP67, M8-4pin angled socket to free cable end
1-11-604	Cable-M8-4p-4A-angled-5m	4x0.25mm <sup>2</sup> , 4A, 60V, PUR, IP67, M8-4pin angled socket to free cable end
1-11-606	Cable-M8-4p-4A-angled-10m	4x0.25mm <sup>2</sup> , 4A, 60V, PUR, IP67, M8-4pin angled socket to free cable end
<b><i>Extension cable M8-4pin</i></b>		

---

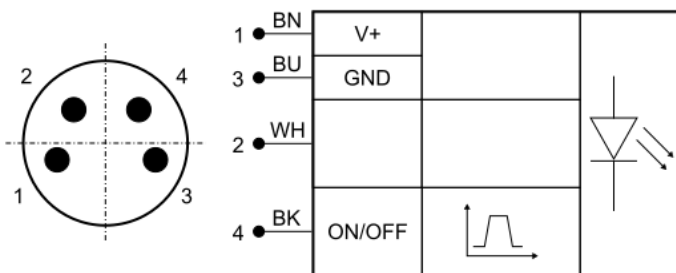
<b>Order number</b>	<b>Title</b>	<b>Description</b>
1-11-093	Extension cable-M8-4p-5A-0.6m	4x0.5mm <sup>2</sup> , 5A, 30V, PUR, IP67, M8-4pin straight socket to M8-4pin straight plug
1-11-094	Extension cable-M8-4p-5A-1.5m	4x0.5mm <sup>2</sup> , 5A, 30V, PUR, IP67, M8-4pin straight socket to M8-4pin straight plug
1-11-095	Extension cable-M8-4p-5A-3.0m	4x0.5mm <sup>2</sup> , 5A, 30V, PUR, IP67, M8-4pin straight socket to M8-4pin straight plug
<b><i>Power supply</i></b>		
4-40-218	Power supply 24V-120W-5A	for DIN rail mounting, without connection cable, type: SDR-120-24

---

## Drawings



Dimensional drawing in mm



Pin	Core colour	Signal	Description
1	BN (brown)	V+	Operating voltage
2	WH (white)	NC	Do not use
3	BU (blue)	GND	Ground
4	BK (black)	ON/OFF	Switch input

Pin assignment: M8 connector