
vicolux® Ring Light - R-CLR-69x41-B470-SL- Diameter of luminous field 41/69 mm

Short description: ring light, blue, coaxial, If diameter: 41/69 mm, smart light technology

Order number: 1-33-007

EAN: 4251692644232



Characteristics

- flashable Power-LED ring light with direct illumination
 - combinable with further lights of the R-CLR series to a round area light
 - homogeneous illumination
 - safe operation due to vicolux® smart light Controller (e.g. DLC3005)
 - overheat protection due to integrated digital temperature sensor
 - connection: cable with M8 connector
 - robust metal casing, protection class IP67
 - extensive optics and mounting accessories available
-

Technical data

Light-emitting surface	Inner diameter: 41 mm Outer diameter: 69 mm
Light colour	Blue, 470 nm
Beam angle	30 °
Power supply	For current source only!
Special feature	Blitzbar mit Blitzcontroller
Continuous operation	
• Power consumption	6.5 W
• Irradiance	100 W/m ²
Flash mode	
• Power consumption	6.5 W
• Irradiance	650 W/m ²
Housing material	Aluminium, black anodised
Optical material	LED, moulded
Weight	75 g
Degree of protection	IP67
Safety class	Class III, safety extra low voltage (SELV)
Risk group (DIN EN 62471)	1
Ambient temperature	-10 °C ... +55 °C

Notices

Die Beleuchtung kann nur in Verbindung mit einem Beleuchtungscontroller oder einer geeigneten Stromquelle betrieben werden.
vicolux® smart light Beleuchtungscontroller begrenzen automatisch die elektrischen Parameter und überwachen die Gerätetemperatur.

Can be combined with

Order number	Title	Description
LED Controller DLC3005		
1-30-202	DLC3005	LED lighting controller, digital, cont./flash current: 4.8A/18A, wall mounting
1-30-209	DLC3005-R	LED lighting controller, digital, cont./flash current: 4.8A/18A, DIN rail mounting

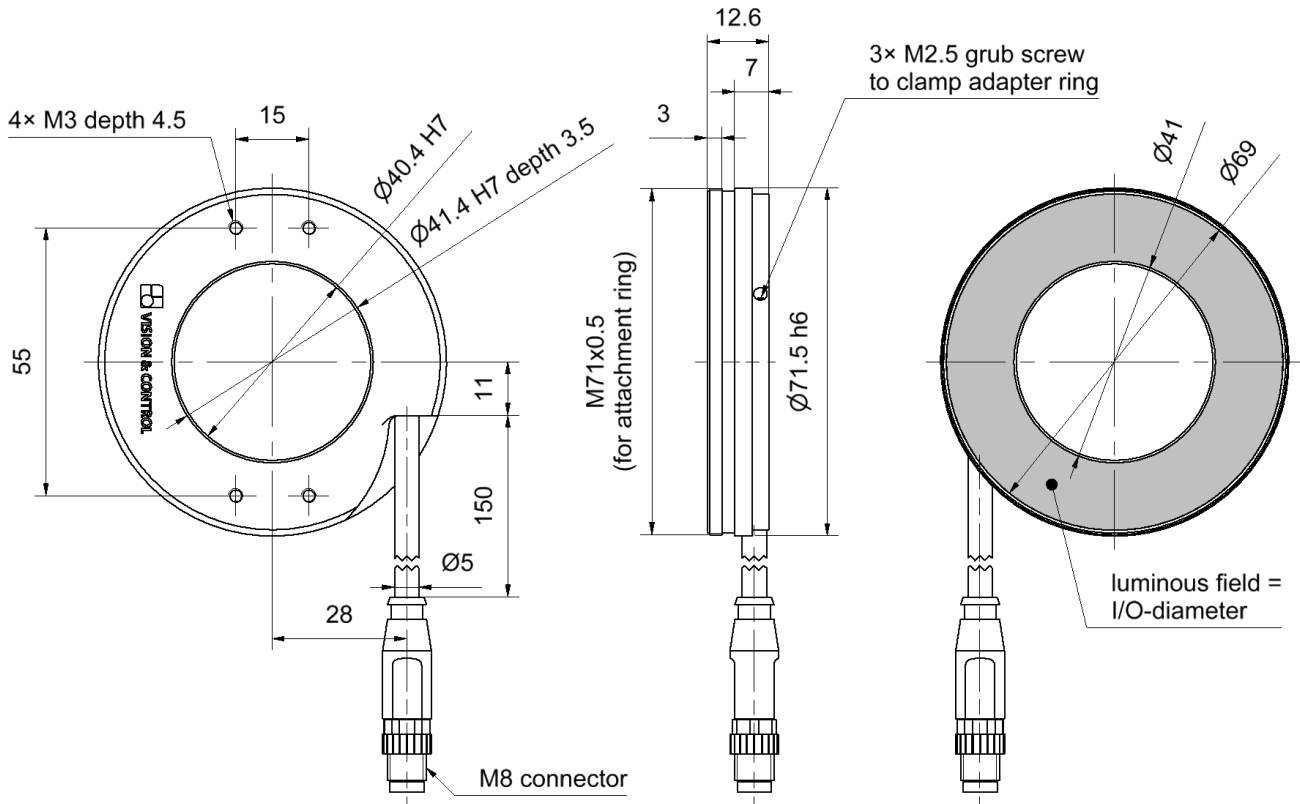
Accessories for Ring lights - R-CLR-69x41-B470-SL

Order number	Title	Description
Attachment ring		
1-29-650	Attachment ring M71x0.5	for R-CLR-69x41 and RK2036, for attachment of beam shaping optics
Diffusers		
1-29-657	Diffuser 40% d69	for R-CLR-69x41 and RK2036, usable with attachment ring M71x0.5 (Order No.: 1-29-650)
Polarisers for Ring Lights		
5-00-020	Polariser linear d134/d41	Polarisation filter for combined ring lights, $D_i = 41$, $D_a = 134$
1-29-655	Polariser linear d70/d41	Polarisation filter for ring lights, $D_i = 41$, $D_a = 70$
Focusing and Fresnel lens		
1-29-659	Fresnel lens F50 d69	for R-CLR-69x41 and RK2036, usable with attachment ring M71x0.5 (Order No.: 1-29-650)
1-29-660	Fresnel lens F100 d69	for R-CLR-69x41 and RK2036, usable with attachment ring M71x0.5 (Order No.: 1-29-650)
1-29-661	Fresnel lens F150 d69	for R-CLR-69x41 and RK2036, usable with attachment ring M71x0.5 (Order No.: 1-29-650)

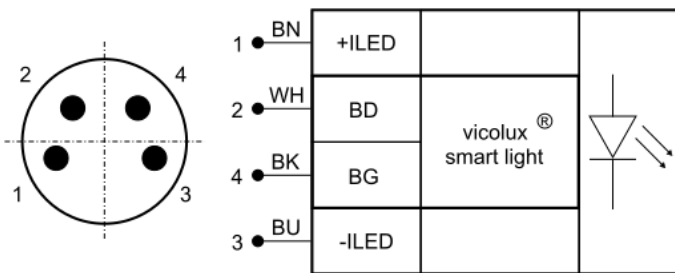
Order number	Title	Description
1-29-662	Fresnel lens F200 d69	for R-CLR-69x41 and RK2036, usable with attachment ring M71x0.5 (Order No.: 1-29-650)
<i>Protective covering</i>		
5-00-021	Clear cover d134/d41	Cover plate for combined Ring lights, PMMA, Di = 41, Da = 134
1-29-658	Clear cover d70/d41	Cover plate for Ring lights, PMMA, Di = 41, Da = 70
<i>Adapters for attaching lights to lenses</i>		
1-29-679	Adapter ring d41 - d25	for R-CLR-69x41 and RK2036, for attachment to lenses with clamping diameter 25 mm
1-29-673	Adapter ring d41 - M26x0.5	for R-CLR-69x41 and RK2036, for attachment to lenses with filter thread M26x0.5
1-29-680	Adapter ring d41 - d27	for R-CLR-69x41 and RK2036, for attachment to lenses with clamping diameter 27 mm
1-29-670	Adapter ring d41 - M27x0.5	for R-CLR-69x41 and RK2036, for attachment to lenses with filter thread M27x0.5
1-29-671	Adapter ring d41 - M30.5x0.5	for R-CLR-69x41 and RK2036, for attachment to lenses with filter thread M30.5x0.5
1-29-681	Adapter ring d41 - d34	for R-CLR-69x41 and RK2036, for attachment to lenses with clamping diameter 34 mm
1-29-674	Adapter ring d41 - M39x0.5	for R-CLR-69x41 and RK2036, for attachment to lenses with filter thread M39x0.5
1-29-676	Adapter ring d41 - M52x0.75	for R-CLR-69x41 and RK2036, for attachment to lenses with filter thread M52x0.75
1-29-677	Adapter ring d41 - M67x0.75	for R-CLR-69x41 and RK2036, for attachment to lenses with filter thread M67x0.75
<i>Connection cable M8-4pin</i>		
1-11-611	Cable-M8-4p-5A-straight-1m	4x0.5mm ² , 5A, 30V, PUR, IP67, M8-4pin straight socket to free cable end
1-11-612	Cable-M8-4p-5A-straight-2m	4x0.5mm ² , 5A, 30V, PUR, IP67, M8-4pin straight socket to free cable end
1-11-613	Cable-M8-4p-5A-straight-3m	4x0.5mm ² , 5A, 30V, PUR, IP67, M8-4pin straight socket to free cable end

Order number	Title	Description
1-11-614	Cable-M8-4p-5A-straight-5m	4x0.5mm ² , 5A, 30V, PUR, IP67, M8-4pin straight socket to free cable end
1-11-609	Cable-M8-4p-4A-straight-5m	4x0.25mm ² , 4A, 60V, PUR, IP67, M8-4pin straight socket to free cable end
1-11-607	Cable-M8-4p-4A-straight-10m	4x0.25mm ² , 4A, 60V, PUR, IP67, M8-4pin straight socket to free cable end
1-11-605	Cable-M8-4p-4A-angled-2m	4x0.25mm ² , 4A, 60V, PUR, IP67, M8-4pin angled socket to free cable end
1-11-604	Cable-M8-4p-4A-angled-5m	4x0.25mm ² , 4A, 60V, PUR, IP67, M8-4pin angled socket to free cable end
1-11-606	Cable-M8-4p-4A-angled-10m	4x0.25mm ² , 4A, 60V, PUR, IP67, M8-4pin angled socket to free cable end
<i>Extension cable M8-4pin</i>		
1-11-093	Extension cable-M8-4p-5A-0.6m	4x0.5mm ² , 5A, 30V, PUR, IP67, M8-4pin straight socket to M8-4pin straight plug
1-11-094	Extension cable-M8-4p-5A-1.5m	4x0.5mm ² , 5A, 30V, PUR, IP67, M8-4pin straight socket to M8-4pin straight plug
1-11-095	Extension cable-M8-4p-5A-3.0m	4x0.5mm ² , 5A, 30V, PUR, IP67, M8-4pin straight socket to M8-4pin straight plug

Drawings



Dimensional drawing in mm



Pin	Aderfarbe	Signal	Beschreibung
1	BN (braun)	+ILED	LED-Anode, positiver Stromeingang
2	WH (weiß)	BD	Data Channel für vicolux [®] smart light Module ⁽¹⁾
4	BK (schwarz)	BG	Data Channel für vicolux [®] smart light Module ⁽¹⁾
3	BU (blau)	-ILED	LED-Kathode, negativer Stromeingang

⁽¹⁾ Nur in Verbindung mit vicolux[®] smart light Beleuchtungscontrollern verwenden.

Pin assignments, M8 connector