

## Accessory for Ring Lights - Adapter ring d104 - M144x0.75

---

**Short description:** for R-CLR-132x104 and RK5268, for attachment to lenses with filter thread M144x0.75

**Order number:** 1-29-873



---

### Characteristics

- lens adapter for ring lights
  - for attaching ring lights to lenses with filter thread M144 x 0.75
-

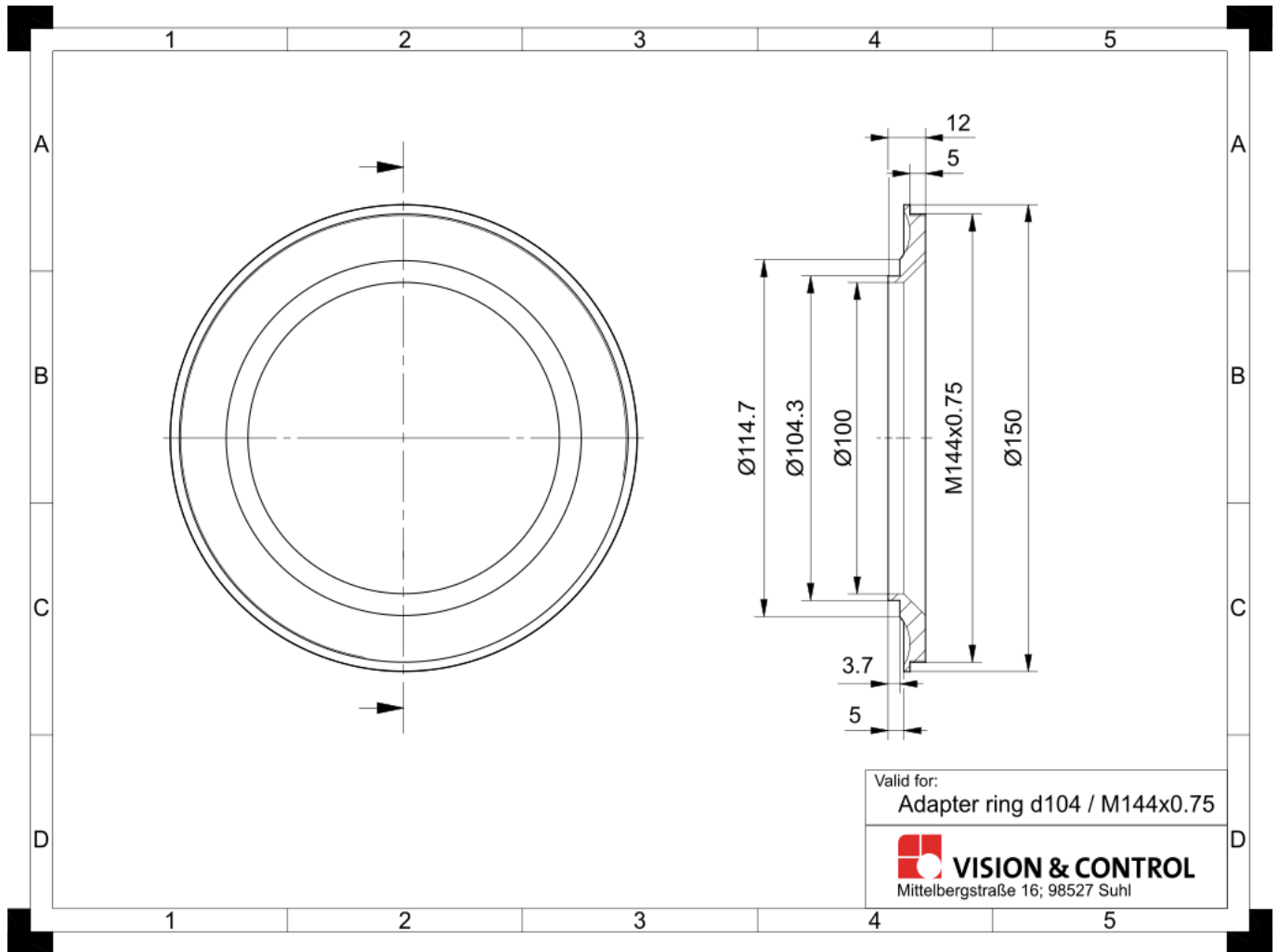
---

## Technical data

Material	Aluminium, black anodised
Clamping diameter	104 mm
Thread	M144x1
Can be combined with:	
Ringbeleuchtung	R-CLR-132x104 series, RK5268 series
Telecentric lens	T360-Serie

---

**Drawings**



Dimensional drawing in mm