

## Accessory for Ring Lights - Adapter ring d104 - M67x0.75

---

**Short description:** for R-CLR-132x104 and RK5268, for attachment to lenses with filter thread M67x0.75

**Order number:** 1-29-871



---

### Characteristics

- lens adapter for ring lights
  - for attaching ring lights to lenses with filter thread M67 x 0.5
-

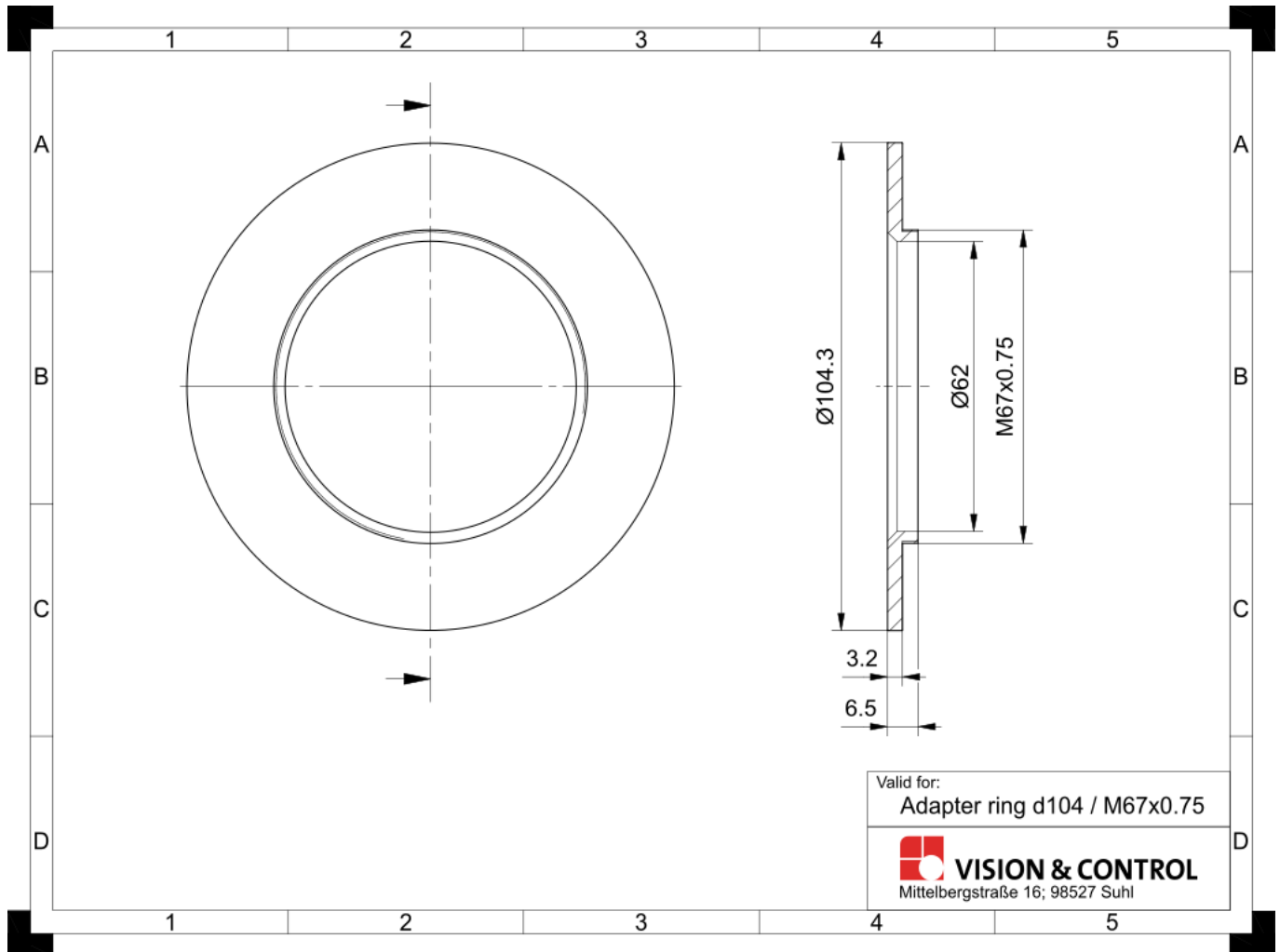
---

**Technical data**

Material	Aluminium, black anodised
Clamping diameter	104 mm
Thread	M67x0.75
Can be combined with:	
Ringbeleuchtung	R-CLR-132x104 series, RK5268 series

---

## Drawings



Dimensional drawing in mm