
vicolux® Ring Light - RK3652-B470-24V/C- Diameter of luminous field 73/100 mm

Short description: ring light, blue, coaxial, If diameter: 73/100 mm, controlled, pot.: 0-10V,

Order number: 1-29-702

EAN: 4251692644133



Characteristics

- LED ring light with direct illumination
 - combinable with RK2036 and RK5268 to a round area light
 - homogeneous illumination
 - lighting controller integrated in casing
 - continuous or pulsed operation
 - pulse-length and brightness adjustable
 - connection: cable with M5 connector
 - robust metal casing, protection class IP67
 - extensive optics and mounting accessories available
-

Technical data

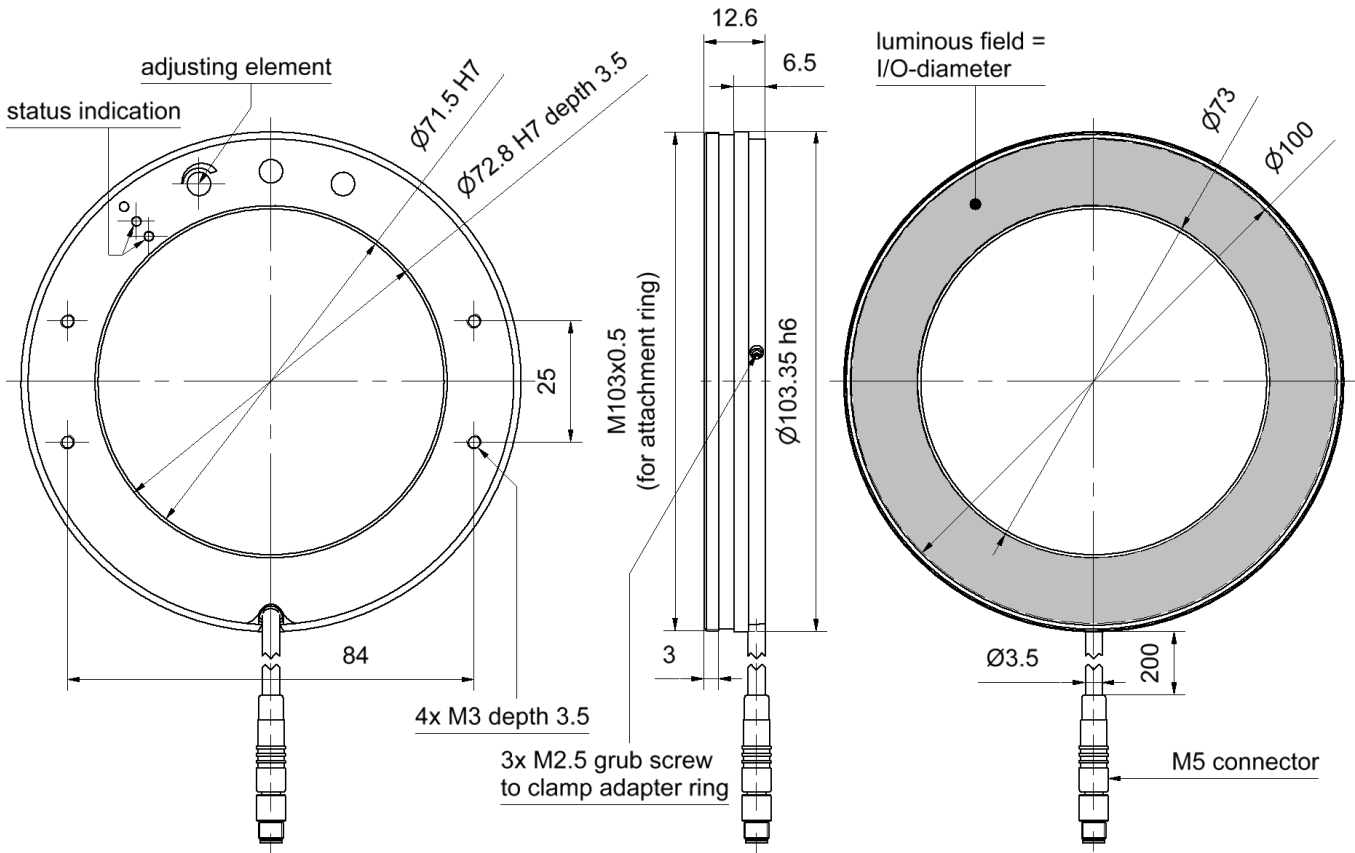
Light-emitting surface	Inner diameter: 73 mm Outer diameter: 100 mm
Light colour	Blau, 470 nm
Power supply	24 VDC (18 -30 V)
Housing material	Aluminium, black anodised
Optical material	LED, moulded
Weight	98 g
Degree of protection	IP67
Safety class	Class III, safety extra low voltage (SELV)
Risk group (DIN EN 62471)	Freie Gruppe
Ambient temperature	0 °C ... +45 °C

Accessories for Ring lights - RK3652-B470-24V/C

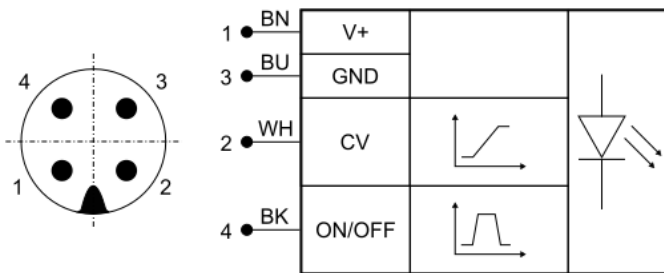
Order number	Title	Description
Attachment ring		
1-29-750	Attachment ring M103x0.5	for R-CLR-100x73 and RK3652, for attachment of beam shaping optics
Adapter for cameras		
1-29-777	Camera adapter In-Sight	for R-CLR-100x73 and RK3652, for attachment to InSight 5K or Simatic MV440
Diffusers		
1-29-756	Diffuser 15% d100	for R-CLR-100x73 and RK3652, usable with attachment ring M103x0.5 (Order No.: 1-29-750)
1-29-757	Diffuser 40% d100	for R-CLR-100x73 and RK3652, usable with attachment ring M103x0.5 (Order No.: 1-29-750)
Polarisers for Ring Lights		
5-00-020	Polariser linear d134/d41	Polarisation filter for combined ring lights, $D_i = 41$, $D_a = 134$
1-29-755	Polariser linear d102/d72	Polarisation filter for ring lights, $D_i = 72$, $D_a = 102$
Focusing and Fresnel lens		
1-29-760	Fresnel lens F100 d100	for R-CLR-100x73 and RK3652, usable with attachment ring M103x0.5 (Order No.: 1-29-750)
1-29-761	Fresnel lens F150 d100	for R-CLR-100x73 and RK3652, usable with attachment ring M103x0.5 (Order No.: 1-29-750)
1-29-762	Fresnel lens F200 d100	for R-CLR-100x73 and RK3652, usable with attachment ring M103x0.5 (Order No.: 1-29-750)
Protective covering		
5-00-021	Clear cover d134/d41	Cover plate for combined Ring lights, PMMA, $D_i = 41$, $D_a = 134$
1-29-758	Clear cover d102/d72	Cover plate for Ring lights, PMMA, $D_i = 72$, $D_a = 102$
Adapters for attaching lights to lenses		
1-29-771	Adapter ring d73 - M39x0.5	for R-CLR-100x73 und RK3652, for attachment to lenses with filter thread M39x0.5

Order number	Title	Description
1-29-772	Adapter ring d73 - M52x0.75	for R-CLR-100x73 und RK3652, for attachment to lenses with filter thread M52x0.75
1-29-773	Adapter ring d73 - M67x0.75	for R-CLR-100x73 und RK3652, for attachment to lenses with filter thread M67x0.75
1-29-774	Adapter ring d73 - M100x1	for R-CLR-100x73 und RK3652, for attachment to lenses with filter thread M100x1
Connection cable M5-4pin		
1-11-117	Cable-M5-4p-1A-straight-2m	4x0.14mm ² , 1A, 60V, PUR, IP67, M5-4pin straight socket to free cable end
1-11-116	Cable-M5-4p-1A-straight-5m	4x0.14mm ² , 1A, 60V, PUR, IP67, M5-4pin straight socket to free cable end
1-11-105	Cable-M5-4p-1A-angled-2m	4x0.14mm ² , 1A, 60V, PUR, IP67, M5-4pin angled socket to free cable end
1-11-104	Cable-M5-4p-1A-angled-5m	4x0.14mm ² , 1A, 60V, PUR, IP67, M5-4pin angled socket to free cable end

Drawings



Dimensional drawing in mm



Pin	Core colour	Signal	Description
1	BN (brown)	V+	Operating voltage
2	WH (white)	CV	Control voltage
3	BU (blue)	GND	Ground
4	BK (black)	ON/OFF	Switch input

Pin assignments, M5 connector