
vicolux® Ring Light - RK2036-B470-24V/C- Diameter of luminous field 41/69 mm

Short description: ring light, blue, coaxial, If diameter: 41/69 mm, controlled, pot.: 0-10V,

Order number: 1-29-602

EAN: 4251692644058



Characteristics

- LED ring light with direct illumination
 - combinable with RK3652 and RK5268 to a round area light
 - homogeneous illumination
 - lighting controller integrated in casing
 - continuous or pulsed operation
 - pulse-length and brightness adjustable
 - connection: cable with M5 connector
 - robust metal casing, protection class IP67
 - extensive optics and mounting accessories available
-

Technical data

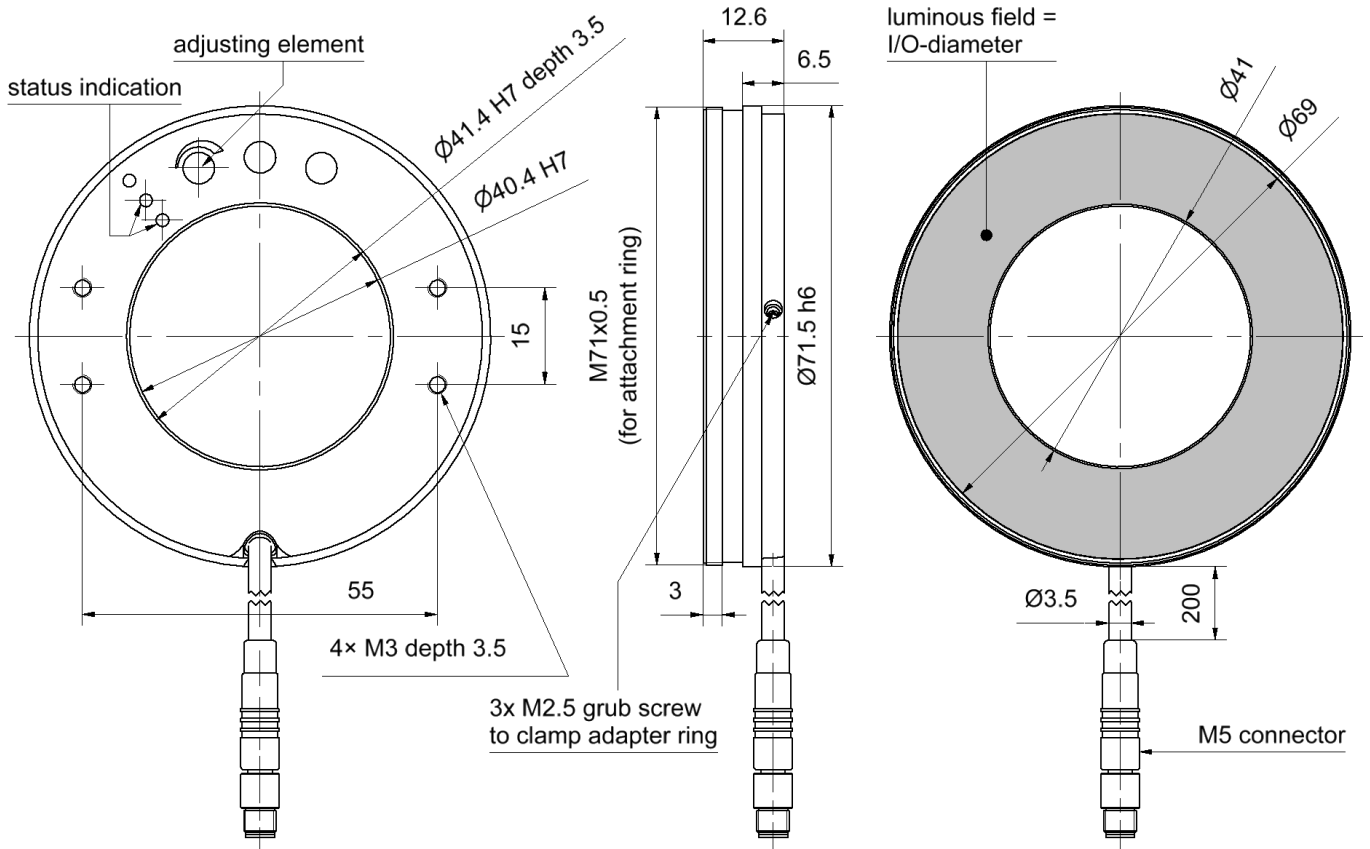
Light-emitting surface	Inner diameter: 41 mm Outer diameter: 69 mm
Light colour	Blau, 470 nm
Power supply	24 VDC (18 -30 V)
Continuous operation	
• Irradiance	20.4 W/m ²
Housing material	Aluminium, black anodised
Optical material	LED, moulded
Weight	61 g
Degree of protection	IP67
Safety class	Class III, safety extra low voltage (SELV)
Risk group (DIN EN 62471)	Freie Gruppe
Ambient temperature	0 °C ... +45 °C

Accessories for Ring lights - RK2036-B470-24V/C

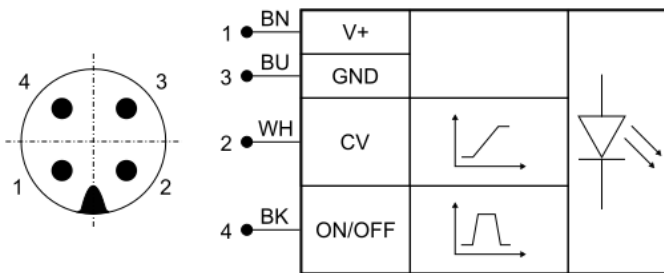
Order number	Title	Description
Attachment ring		
1-29-850	Attachment ring M135x0.5	for R-CLR-132x104 and RK5268, for attachment of beam shaping optics
Diffusers		
1-29-856	Diffuser 15% d132	for R-CLR-132x104 and RK5268, usable with attachment ring M135x0.5 (Order No.: 1-29-850)
1-29-857	Diffuser 40% d132	for R-CLR-132x104 and RK5268, usable with attachment ring M135x0.5 (Order No.: 1-29-850)
Polarisers for Ring Lights		
5-00-020	Polariser linear d124/d41	Polarisation filter for combined ring lights, $D_i = 41$, $D_a = 134$
1-29-855	Polariser linear d132	for R-CLR-132x104 and RK5268, usable with attachment ring M135x0.5 (Order No.: 1-29-850)
Focusing and Fresnel lens		
1-29-860	Fresnel lens F100 d132	for R-CLR-132x104 and RK5268, usable with attachment ring M135x0.5 (Order No.: 1-29-850)
1-29-861	Fresnel lens F150 d132	for R-CLR-132x104 and RK5268, usable with attachment ring M135x0.5 (Order No.: 1-29-850)
1-29-862	Fresnel lens F200 d132	for R-CLR-132x104 and RK5268, usable with attachment ring M135x0.5 (Order No.: 1-29-850)
Protective covering		
5-00-021	Clear cover d124/d41	Cover plate for combined Ring lights, PMMA, $D_i = 41$, $D_a = 134$
Adapters for attaching lights to lenses		
1-29-870	Adapter ring d104 - M52x0.75	for R-CLR-132x104 and RK5268, for attachment to lenses with filter thread M52x0.75

Order number	Title	Description
1-29-871	Adapter ring d104 - M67x0.75	for R-CLR-132x104 and RK5268, for attachment to lenses with filter thread M67x0.75
1-29-872	Adapter ring d104 - M100x1	for R-CLR-132x104 and RK5268, for attachment to lenses with filter thread M100x1
1-29-873	Adapter ring d104 - M144x0.75	for R-CLR-132x104 and RK5268, for attachment to lenses with filter thread M144x0.75
Connection cable M8-4pin		
1-11-611	Cable-M8-4p-5A-straight-1m	4x0.5mm ² , 5A, 30V, PUR, IP67, M8-4pin straight socket to free cable end
1-11-612	Cable-M8-4p-5A-straight-2m	4x0.5mm ² , 5A, 30V, PUR, IP67, M8-4pin straight socket to free cable end
1-11-613	Cable-M8-4p-5A-straight-3m	4x0.5mm ² , 5A, 30V, PUR, IP67, M8-4pin straight socket to free cable end
1-11-614	Cable-M8-4p-5A-straight-5m	4x0.5mm ² , 5A, 30V, PUR, IP67, M8-4pin straight socket to free cable end
1-11-609	Cable-M8-4p-4A-straight-5m	4x0.25mm ² , 4A, 60V, PUR, IP67, M8-4pin straight socket to free cable end
1-11-607	Cable-M8-4p-4A-straight-10m	4x0.25mm ² , 4A, 60V, PUR, IP67, M8-4pin straight socket to free cable end
1-11-605	Cable-M8-4p-4A-angled-2m	4x0.25mm ² , 4A, 60V, PUR, IP67, M8-4pin angled socket to free cable end
1-11-604	Cable-M8-4p-4A-angled-5m	4x0.25mm ² , 4A, 60V, PUR, IP67, M8-4pin angled socket to free cable end
1-11-606	Cable-M8-4p-4A-angled-10m	4x0.25mm ² , 4A, 60V, PUR, IP67, M8-4pin angled socket to free cable end
Extension cable M8-4pin		
1-11-093	Extension cable-M8-4p-5A-0.6m	4x0.5mm ² , 5A, 30V, PUR, IP67, M8-4pin straight socket to M8-4pin straight plug
1-11-094	Extension cable-M8-4p-5A-1.5m	4x0.5mm ² , 5A, 30V, PUR, IP67, M8-4pin straight socket to M8-4pin straight plug
1-11-095	Extension cable-M8-4p-5A-3.0m	4x0.5mm ² , 5A, 30V, PUR, IP67, M8-4pin straight socket to M8-4pin straight plug

Drawings



Dimensional drawing in mm



Pin	Core colour	Signal	Description
1	BN (brown)	V+	Operating voltage
2	WH (white)	CV	Control voltage
3	BU (blue)	GND	Ground
4	BK (black)	ON/OFF	Switch input

Pin assignments, M5 connector