
vicolux® Ring Light - RK613-G530-24V/C- Diameter of luminous field 13/23 mm

Short description: ring light, green, coaxial, lf diameter: 13/23
mm, controlled/switchable

Order number: 1-29-101

EAN: 4251692644416



Characteristics

- LED ring light with direct illumination for direct mounting on M12 lenses
 - homogeneous illumination
 - lighting controller integrated in casing
 - continuous or pulsed operation
 - pulse-length and brightness adjustable
 - connection: cable with open ends
 - robust metal casing, protection class IP67
 - extensive optics and mounting accessories available
-

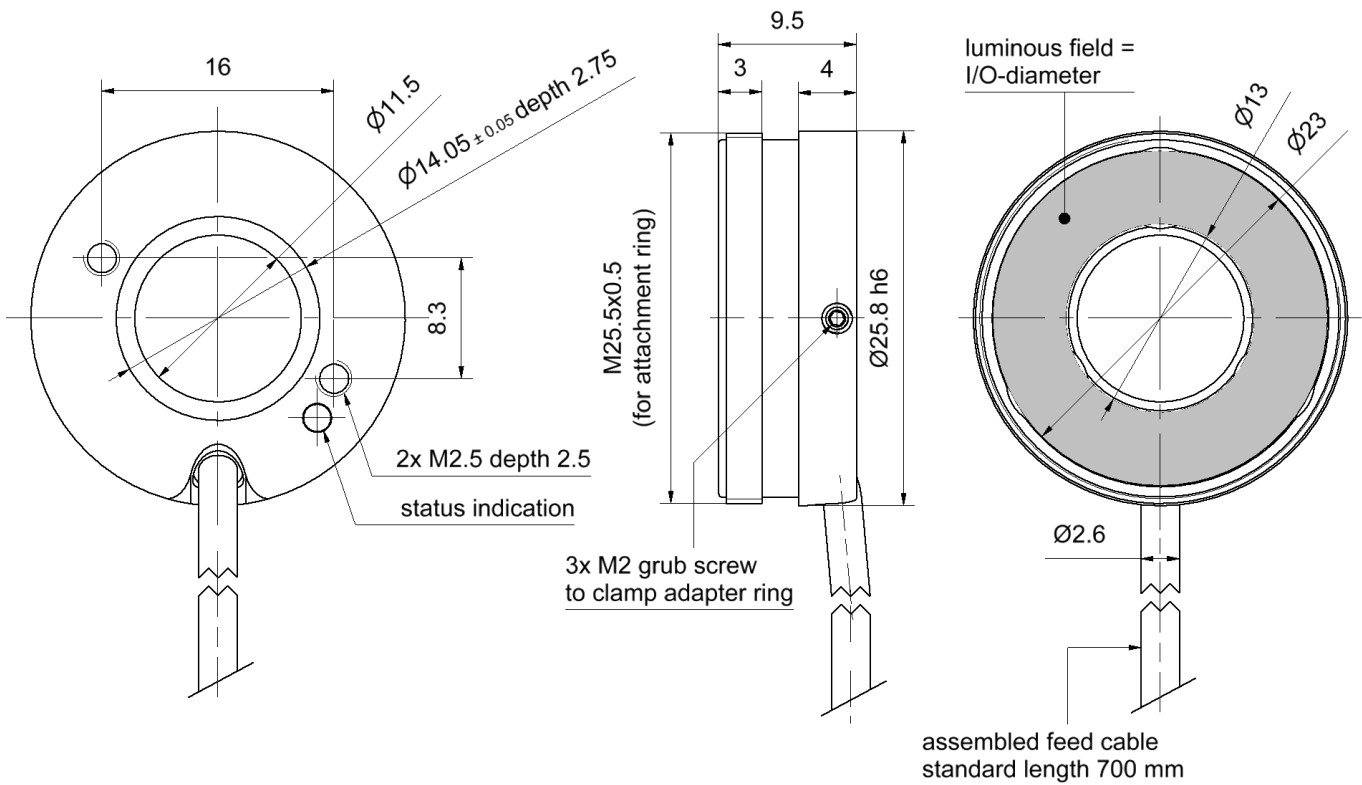
Technical data

| | |
|---------------------------|--|
| Light-emitting surface | Inner diameter: 13 mm Outer diameter: 23 mm |
| Light colour | Green, 525 nm |
| Power supply | 24 VDC (18 -30 V) |
| Housing material | Aluminium, black anodised |
| Optical material | LED, moulded |
| Weight | 15 g |
| Degree of protection | IP67 |
| Safety class | Class III, safety extra low voltage (SELV) |
| Risk group (DIN EN 62471) | Freie Gruppe |
| Ambient temperature | 0 °C ... +45 °C |

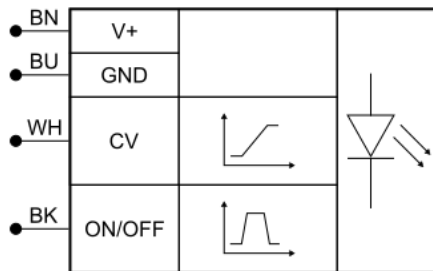
Accessories for Ring lights - RK613-G530-24V/C

| Order number | Title | Description |
|--|---------------------------------|--|
| Attachment ring | | |
| 1-29-150 | Attachment ring M25.5x0.5 | for RK613, for attachment of beam shaping optics |
| Diffusers | | |
| 1-29-172 | Diffuser 40% d23 | for RK613, usable with attachment ring M25.5x0.5 (Best.Nr.: 1-29-150) |
| 1-29-171 | Diffuser 15% d23 | for RK613, usable with attachment ring M25.5x0.5 (Best.Nr.: 1-29-150) |
| Polarisers for Ring Lights | | |
| 1-29-170 | Polariser linear d23 | for RK613, usable with attachment ring M25.5x0.5 (Best.Nr.: 1-29-150) |
| Focusing and Fresnel lens | | |
| 1-29-174 | Fresnel lens F50 d23 | for RK613, usable with attachment ring M25.5x0.5 (Best.Nr.: 1-29-150) |
| 1-29-175 | Fresnel lens F100 d23 | for RK613, usable with attachment ring M25.5x0.5 (Best.Nr.: 1-29-150) |
| 1-29-176 | Fresnel lens F150 d23 | for RK613, usable with attachment ring M25.5x0.5 (Best.Nr.: 1-29-150) |
| Adapters for attaching lights to lenses | | |
| 1-29-153 | Adapter ring d14 - M25.5x0.5 | for RK613, for attachment to lenses with filter thread M25.5x0.5 |
| 1-29-152 | Adapter ring d14 - M26x0.5 | for RK613, for attachment to lenses with filter thread M26x0.5 |
| 1-29-151 | Adapter ring d14 - M27x0.5 | for RK613, for attachment to lenses with filter thread M27x0.5 |
| 1-29-155 | Adapter ring d14 - d27 | for RK613, for attachment to lenses with clamping diameter 27 mm |
| 1-29-156 | Adapter ring d14 - d35.5 | for RK613, for attachment to lenses with clamping diameter 35.5 mm |
| 1-29-158 | Adapter ring d35.5 - d34 | for RK613, for attachment to lenses with clamping diameter 34 mm |

Drawings



Dimensional drawing in mm



| Core colour | Signal | Description |
|-------------|--------|-------------------|
| BN (brown) | V+ | Operating voltage |
| BU (blue) | GND | Ground |
| WH (white) | CV | Control voltage |
| BK (black) | ON/OFF | Switch input |

Pin assignments: free cable end, 4-wire