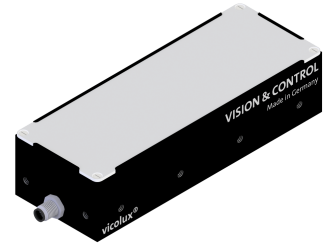

vicolux® Area Light - DL30x90-B470/24V

Short description: area light, blue, diffuse, lf-size: 30x90 mm,
M5-4pin, static / switchable

Order number: 1-21-702

EAN: 4251692658765



Characteristics

- LED area light with diffuse illumination
 - homogeneous illumination
 - lighting controller integrated in casing
 - continuous or pulsed operation
 - brightness pre-set, flash duration corresponds to pulse-length
 - connection: M5 plug on the casing
 - metal casing, optical material: PMMA
-

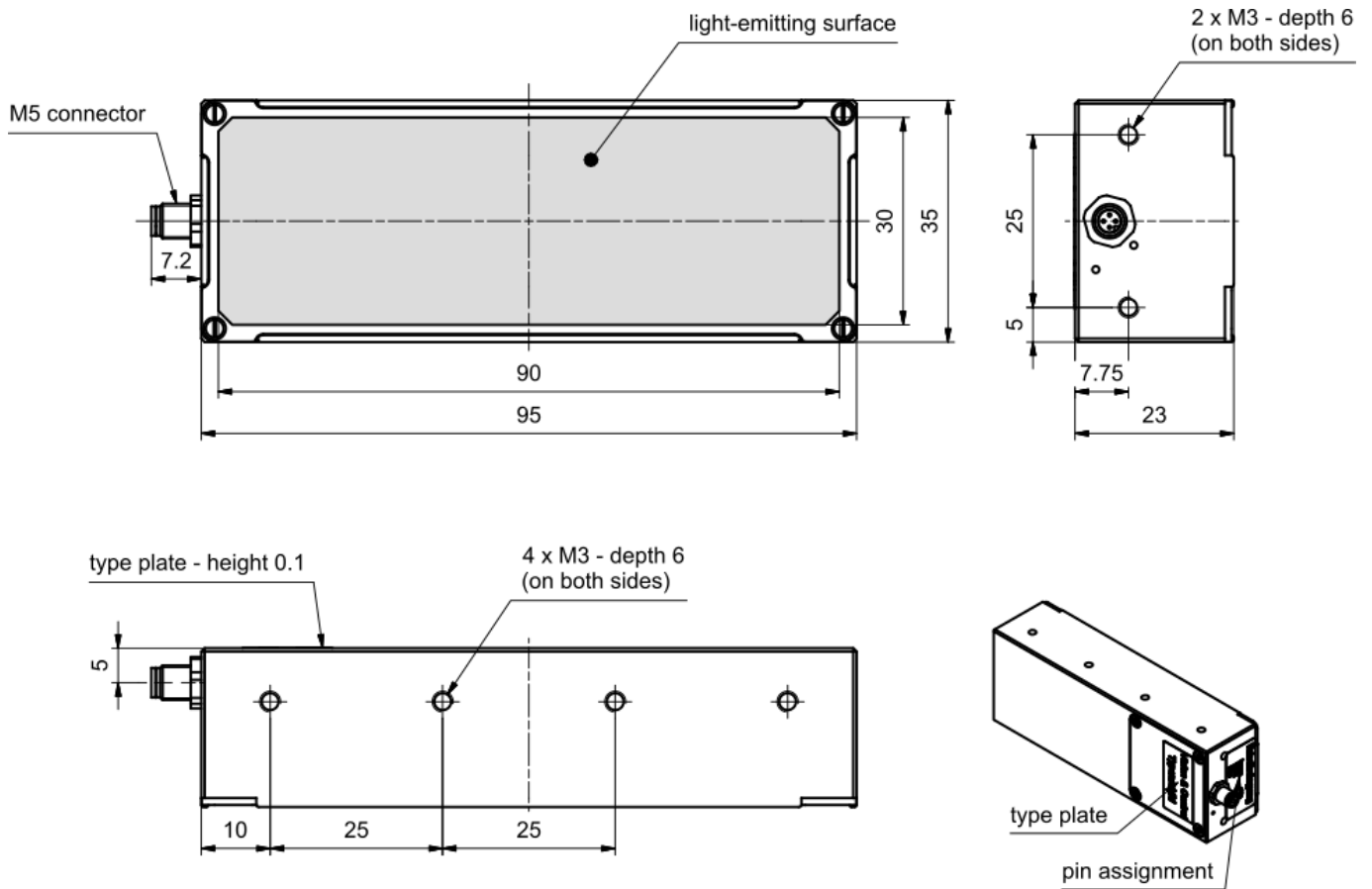
Technical data

Light-emitting surface	30 mm x 90 mm
Light colour	Blue, 470 nm
Light design	Diffuse
Operating voltage	24 V
Power consumption	3.4 W
Radiance	
• Continuous operation	35 W/(m ² sr)
Housing material	Aluminium, black anodised
Optical material	PMMA
Weight	105 g
Degree of protection	IP50
Safety class	Class III, safety extra low voltage (SELV)
Risk group (DIN EN 62471)	Exempt
Ambient temperature	0 °C to 45 °C

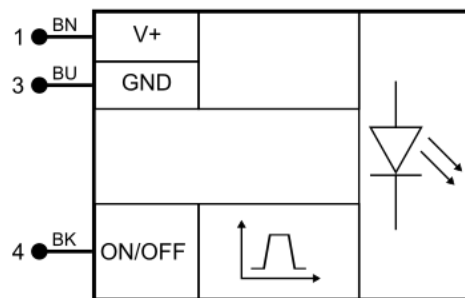
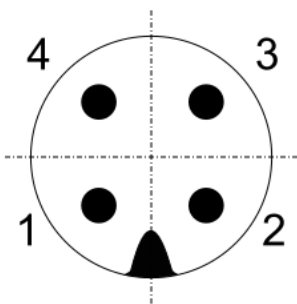
Accessories for Area and Bar lights - DL30x90-B470/24V

Order number	Title	Description
<i>diffusers</i>		
1-21-560	Diffusor 40% 30x90x1	for AL30x90 diffuser plate made of PMMA, screwable
<i>Polarisers for Area Lights</i>		
1-21-562	Polarizer linear 30x90x0.18	for AL30x90 and DL30x90, polarizing filter, neutral gray, self-adhesive
1-21-563	Polarizer linear 30x90x2	for AL30x90, polarizing filter, neutral gray, screwable
<i>protective covers</i>		
1-21-561	Clear cover 30x90x1	for AL30x90, protective cover made of PMMA, screwable
<i>Connection cable M5-4pin</i>		
1-11-117	Cable-M5-4p-1A-straight-2m	4x0.14mm ² , 1A, 60V, PUR, IP67, M5-4pin straight socket to free cable end
1-11-116	Cable-M5-4p-1A-straight-5m	4x0.14mm ² , 1A, 60V, PUR, IP67, M5-4pin straight socket to free cable end
1-11-105	Cable-M5-4p-1A-angled-2m	4x0.14mm ² , 1A, 60V, PUR, IP67, M5-4pin angled socket to free cable end
1-11-104	Cable-M5-4p-1A-angled-5m	4x0.14mm ² , 1A, 60V, PUR, IP67, M5-4pin angled socket to free cable end

Drawings



Dimensional drawing in mm



1	V+	Operating voltage
2	NC	Do not use
3	GND	Ground
4	ON/OFF	Switch input

Pin assignment of the M5 connector