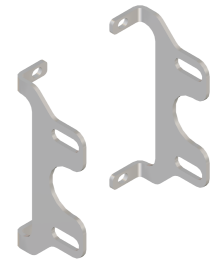


## Adapter for Beam Splitter Unit - Adapter STE30x30 - DL30x30

---

**Short description:** Attachment of the STE30x30 to the DL30x30

**Order number:** 1-18-031



---

### Characteristics

- Adapter for mounting a diffuse area light of the DL30x30 series on the STE30x30
  - suitable fastening material (screws and grub screws) is included in the scope of delivery
-

---

## Technical data

---

Material	Stainless steel
----------	-----------------

---

Weight	10 g
--------	------

---

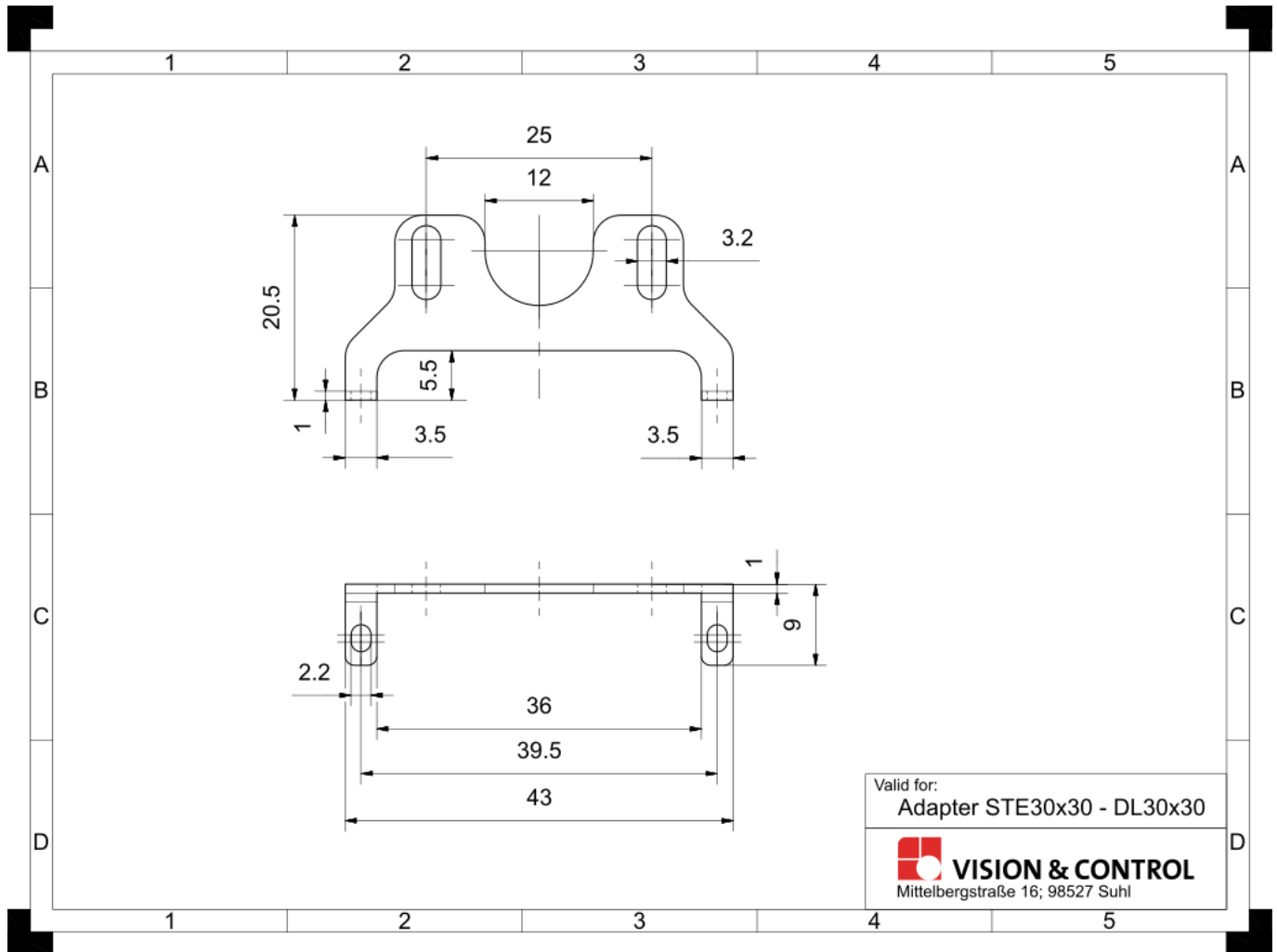
Adapted to:

---

Lighting series	DL30x30
-----------------	---------

---

## Drawings



Dimensional drawing in mm