

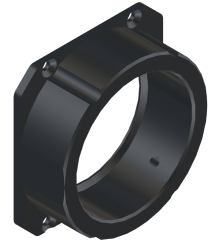
---

## Adapter for Beam Splitter Unit - Adapter STE30x30 - TZO34

---

**Short description:** Attachment of the STE30x30 to telecentric lenses and lightings with  $d = 34$  mm

**Order number:** 1-18-023



---

### Characteristics

- Adapter for mounting a telecentric lens with a 34 mm front diameter on the STE30x30
  - suitable fastening material (screws and grub screws) is included in the scope of delivery
-

---

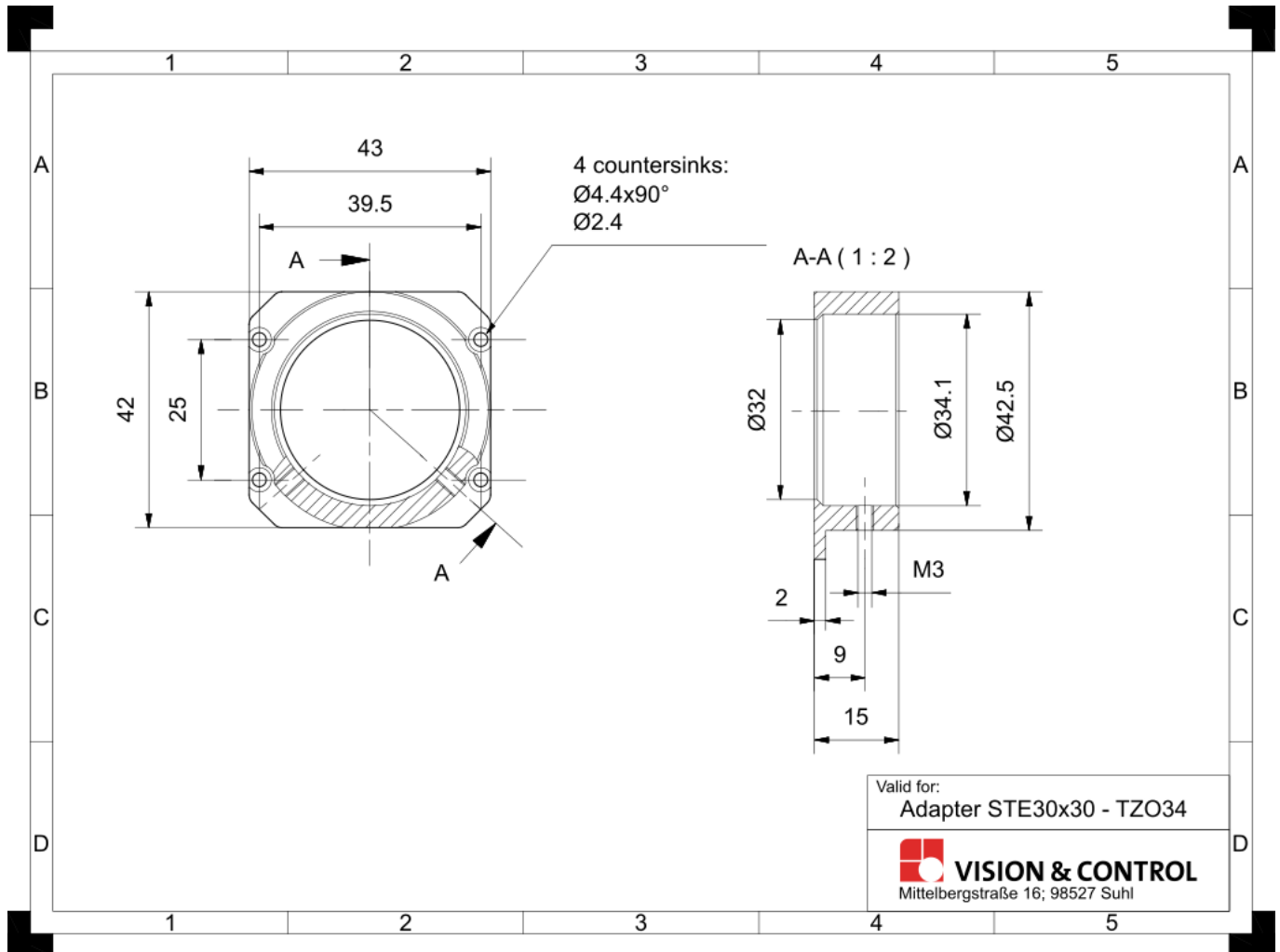
**Technical data**

---

Material	Aluminium, black anodised
Clamping diameter	34 mm
Weight	22 g

---

## Drawings



Dimensional drawing in mm