

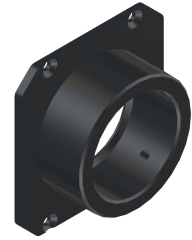
---

## Adapter for Beam Splitter Unit - Adapter STE30x30 - TZO25

---

**Short description:** Attachment of the STE30x30 to telecentric lenses and lightings with  $d = 25$  mm

**Order number:** 1-18-021



---

### Characteristics

- Adapter for mounting a telecentric lens with a 25 mm front diameter on the STE30x30
  - suitable fastening material (screws and grub screws) is included in the scope of delivery
-

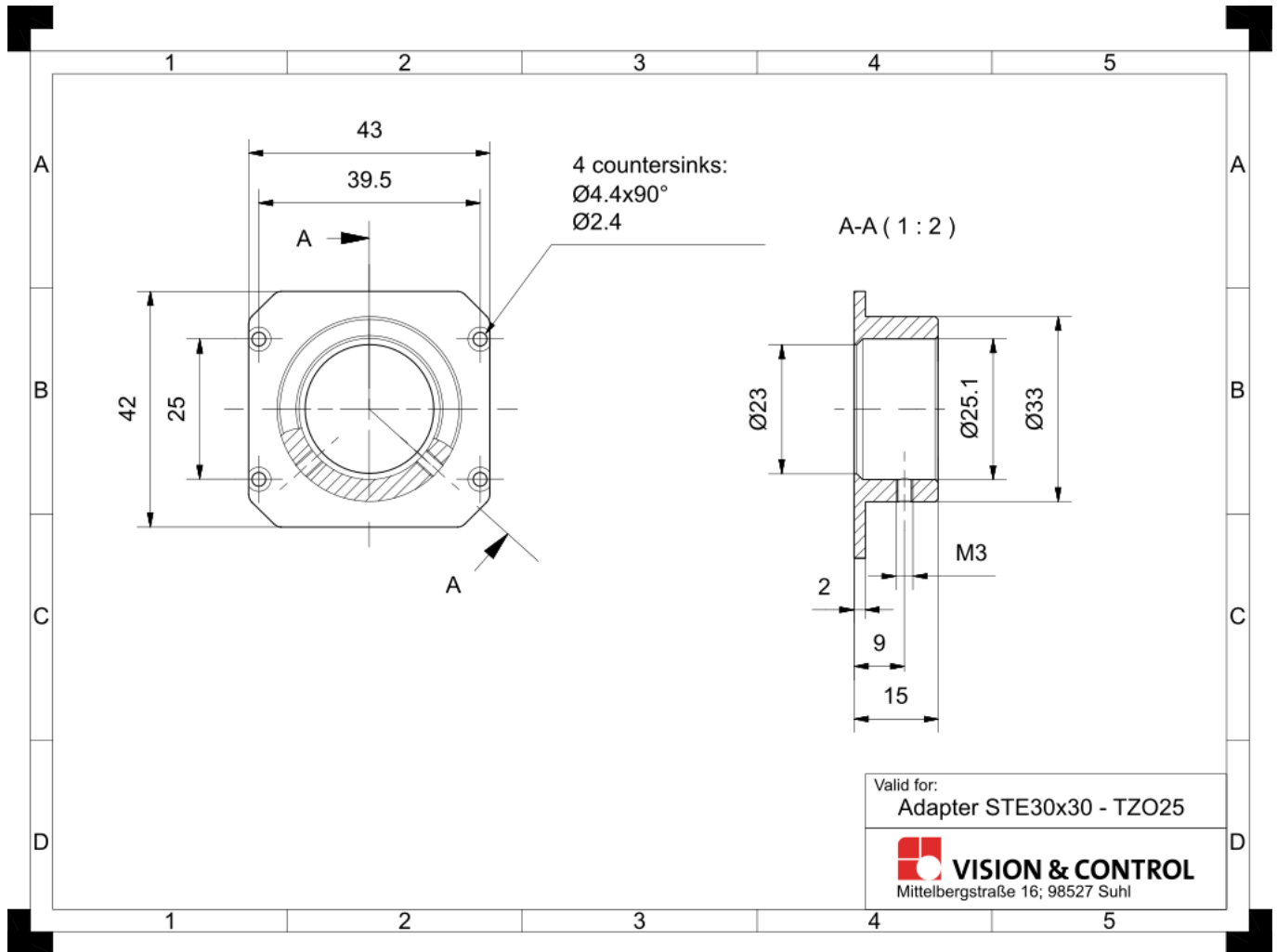
---

**Technical data**

Material	Aluminium, black anodised
Clamping diameter	25 mm
Weight	20 g
Adapted to:	
Telecentric optic	T80/1.0L

---

## Drawings



Dimensional drawing in mm