

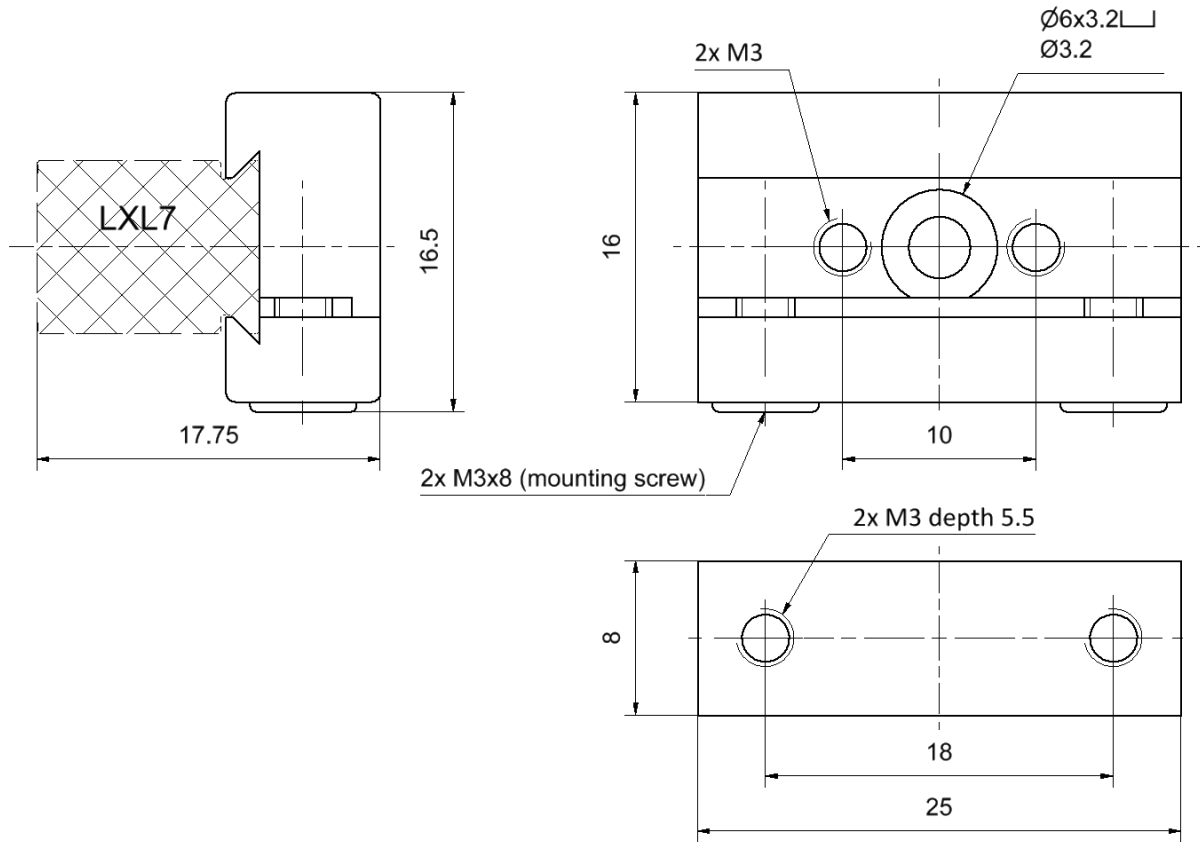
Accessory for Bar Lights - Tension clamp LxL7 series

Short description: for variable attachment and extension of the LxL7 series, l=25mm, w=17mm

Order number: 1-16-826



Drawings



Dimensional drawing in mm