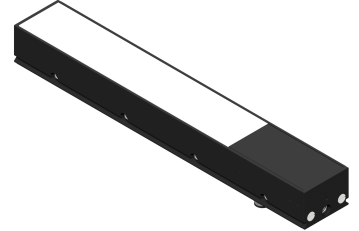

vicolux® Bar Light - LAL14x100-IR850/24V- Luminous Field Size 14 mm x 100 mm

Short description: bar light, IR850, directed, lf-size: 14 mm x 100 mm, static/switchable

Order number: 1-16-109

EAN: 4251692670590



Characteristics

- LED bar light with direct illumination
 - homogeneous illumination
 - lighting controller integrated in casing
 - continuous or pulsed operation
 - brightness pre-set, flash duration corresponds to pulse-length
 - connection: M5 plug on the casing
 - metal casing, optical material: PMMA
 - multiple mounting options
-

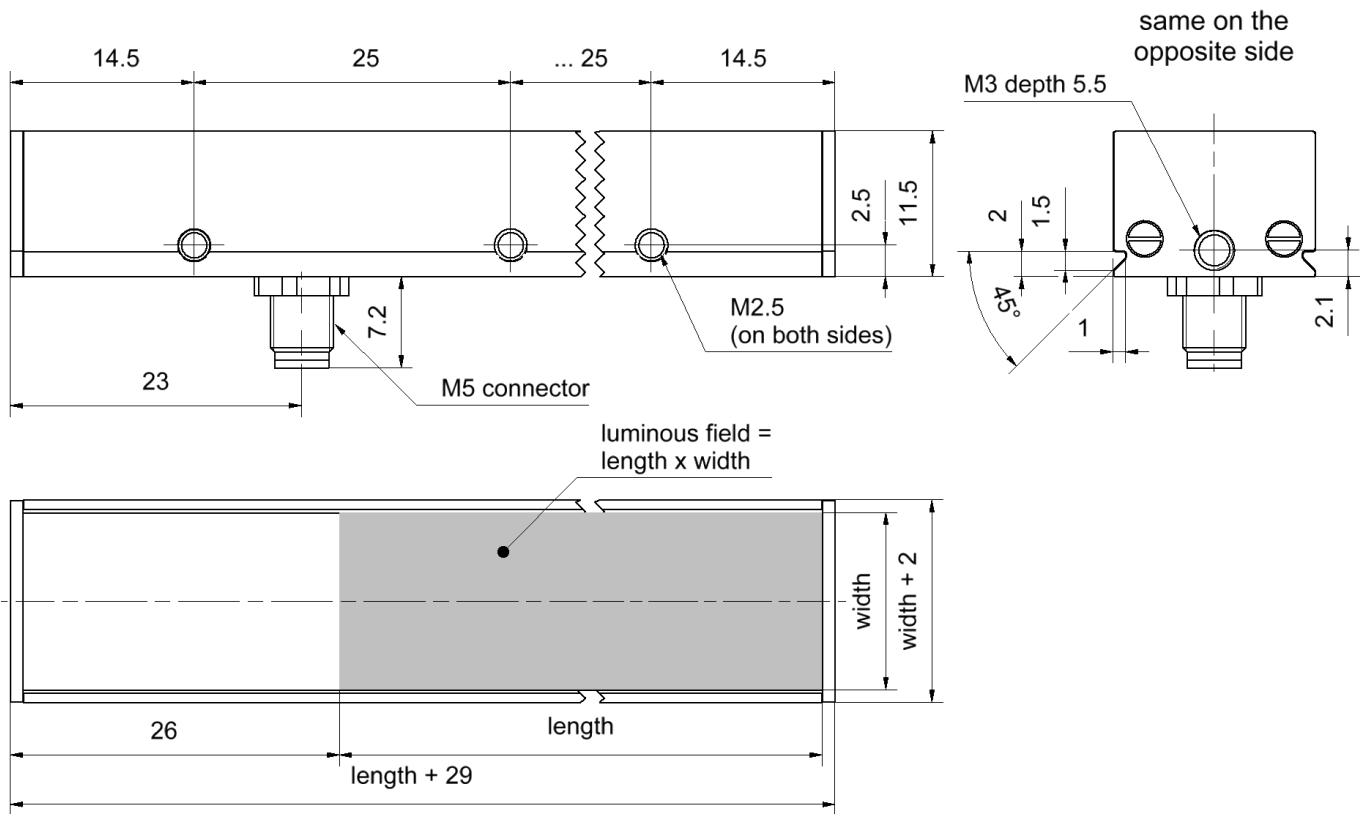
Technical data

Luminous field	14 mm x 100 mm
Light colour	Infrared, 850 nm
Light design	Directed
Irradiance	46 W/m ²
Operation voltage	24 VDC (12 - 30 V)
Ambient temperature	-10°C bis +45°C
Degree of protection	IP50
Housing material	Aluminium black anodised
Weight	45 g
Risk group (DIN EN 62471)	Freie Gruppe
Safety class	III, Schutzkleinspannung (SELV)

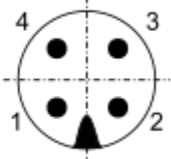
Accessories for Area and Bar lights - LAL14x100-IR850/24V

Order number	Title	Description
<i>Mounting Systems</i>		
1-16-827	Tension clamp LxL14 series	for variable attachment and extension of the LxL14 series, l=25mm, w=24mm
<i>Polarisers for 14 mm Bar Lights</i>		
1-16-924	Polarizer 14x100, linear	for LxL14x100, 400 - 700 nm, plate thickness 0.2 mm, self-adhesive
<i>Connection cable M5-4pin</i>		
1-11-117	Cable-M5-4p-1A-straight-2m	4x0.14mm ² , 1A, 60V, PUR, IP67, M5-4pin straight socket to free cable end
1-11-116	Cable-M5-4p-1A-straight-5m	4x0.14mm ² , 1A, 60V, PUR, IP67, M5-4pin straight socket to free cable end
1-11-105	Cable-M5-4p-1A-angled-2m	4x0.14mm ² , 1A, 60V, PUR, IP67, M5-4pin angled socket to free cable end
1-11-104	Cable-M5-4p-1A-angled-5m	4x0.14mm ² , 1A, 60V, PUR, IP67, M5-4pin angled socket to free cable end

Drawings



Dimensional drawing in mm: length = 100 mm; width = 14 mm

Function	Symbol	Cable Colour*	Pin	Contact arrangement
Operating Voltage	V+	brown	1	
Ground	GND	blue	3	
Switch Input	ON/OFF	black	4	
Not connected	NC	white	2	

* for recommended accessories

Pin assignments, M5 connector