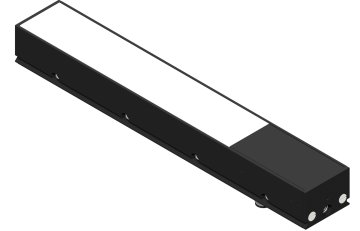

vicolux® Bar Light - LAL14x50-G525/24V- Luminous Field Size 14 mm x 50 mm

Short description: bar light, green, directed, lf-size: 14 mm x 50 mm, static/switchable

Order number: 1-16-090

EAN: 4251692670460



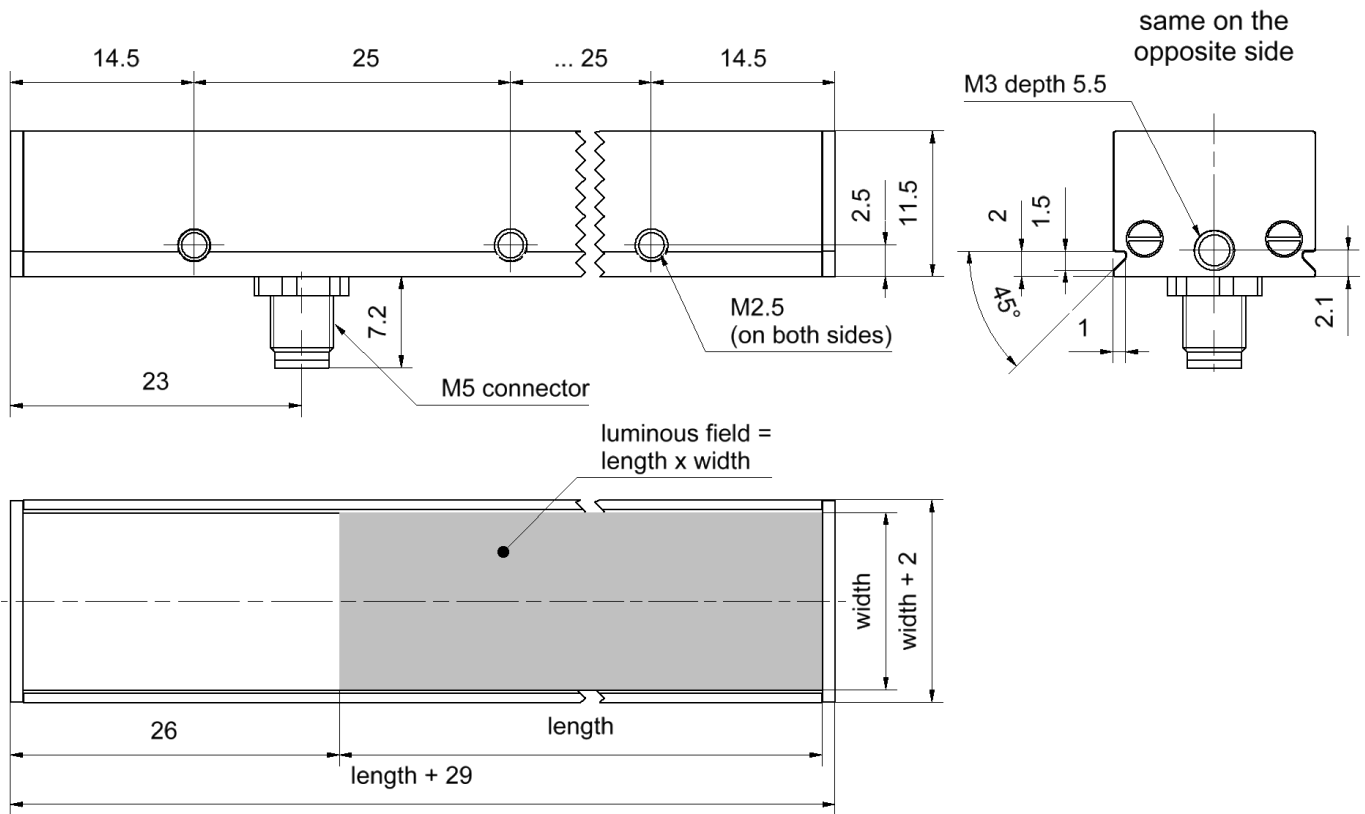
Characteristics

- LED bar light with direct illumination
 - homogeneous illumination
 - lighting controller integrated in casing
 - continuous or pulsed operation
 - brightness pre-set, flash duration corresponds to pulse-length
 - connection: M5 plug on the casing
 - metal casing, optical material: PMMA
 - multiple mounting options
-

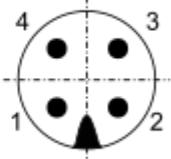
Accessories for Area and Bar lights - LAL14x50-G525/24V

Order number	Title	Description
Mounting Systems		
1-16-827	Tension clamp LxL14 series	for variable attachment and extension of the LxL14 series, l=25mm, w=24mm
Polarisers for 14 mm Bar Lights		
1-16-922	Polarizer 14x50, linear	for LxL14x50, 400 - 700 nm, plate thickness 0.2 mm, self-adhesive
Connection cable M5-4pin		
1-11-117	Cable-M5-4p-1A-straight-2m	4x0.14mm ² , 1A, 60V, PUR, IP67, M5-4pin straight socket to free cable end
1-11-116	Cable-M5-4p-1A-straight-5m	4x0.14mm ² , 1A, 60V, PUR, IP67, M5-4pin straight socket to free cable end
1-11-105	Cable-M5-4p-1A-angled-2m	4x0.14mm ² , 1A, 60V, PUR, IP67, M5-4pin angled socket to free cable end
1-11-104	Cable-M5-4p-1A-angled-5m	4x0.14mm ² , 1A, 60V, PUR, IP67, M5-4pin angled socket to free cable end

Drawings



Dimensional drawing in mm: length = 50 mm; width = 14 mm

Function	Symbol	Cable Colour*	Pin	Contact arrangement
Operating Voltage	V+	brown	1	
Ground	GND	blue	3	
Switch Input	ON/OFF	black	4	
Not connected	NC	white	2	

* for recommended accessories

Pin assignments, M5 connector