

---

## Accessory for Lighting - Cable-M8-4p-4A-angled-10m

---

**Short description:** 4x0.25mm<sup>2</sup>, 4A, 60V, PUR, IP67, M8-4pin angled socket to free cable end

**Order number:** 1-11-606



The illustration shown is for reference, the actual product may differ.

---

### Characteristics

- Connection cable with 4-pin M8 socket and open cable end
  - Socket: angled, plug connector with screw lock
  - open cable end: assembled, 70 cm stripped, cores crimped with wire-end ferrules
  - Length: 10 m
  - Cable structure: 4 x 0.25 mm<sup>2</sup>
  - Drag chain suitable, resistant to bending stress, strain-relieved and oil-resistant
-

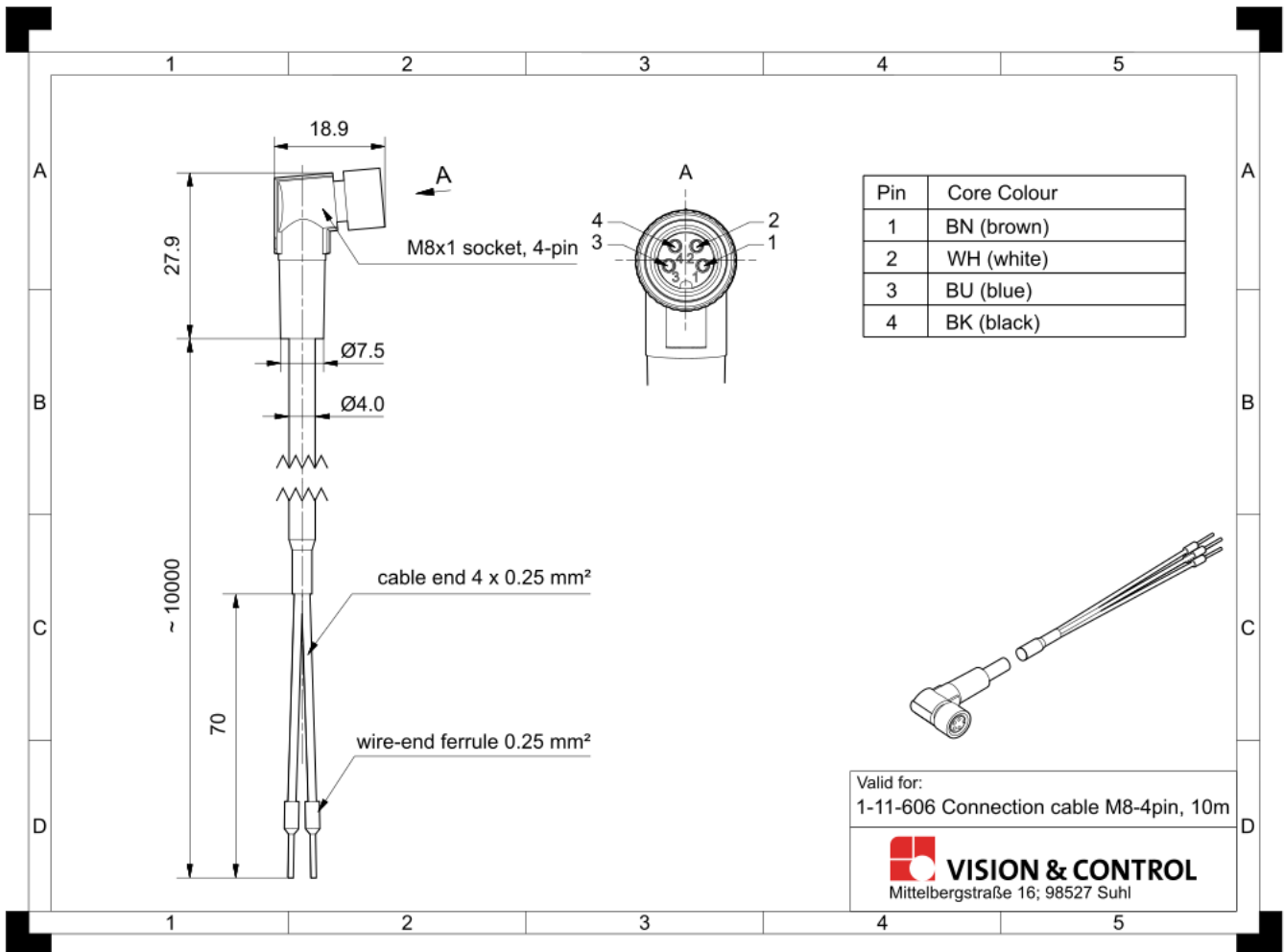
---

## Technical data

Cabel type	connection cable
Connector A	M8 socket, 4-pin, angled
Connector B	free cable end with wire-end ferrules 0.25 mm <sup>2</sup>
<b>Cabel</b>	
Cable length	10 m
Cable diameter	4.0 mm
Cable structure	4 x 0.25 mm <sup>2</sup> (AWG 24)
Sheath material	PUR
Ambient temperature	fixed: -40° to +80°C flexible: -5° to +80°C
Drag chain suitable	yes
Bending radius	fixed: 20 mm flexible: 40 mm
Bending cycles	at least 4 million
Robot-suitable	no
Length of free cable end	~ 70 mm
<b>Connector</b>	
Locking system	screwable
Mechanical operation	> 100 mating cycles
Rated voltage	60 V
Rated current	1 A at 40°C
Degree of protection	IP67, if connected

---

## Drawings



Dimensional drawing in mm