
Accessory for Lighting - Cable-M8-4p-4A-angled-5m

Short description: 4x0.25mm², 4A, 60V, PUR, IP67, M8-4pin angled socket to free cable end

Order number: 1-11-604



The illustration shown is for reference, the actual product may differ.

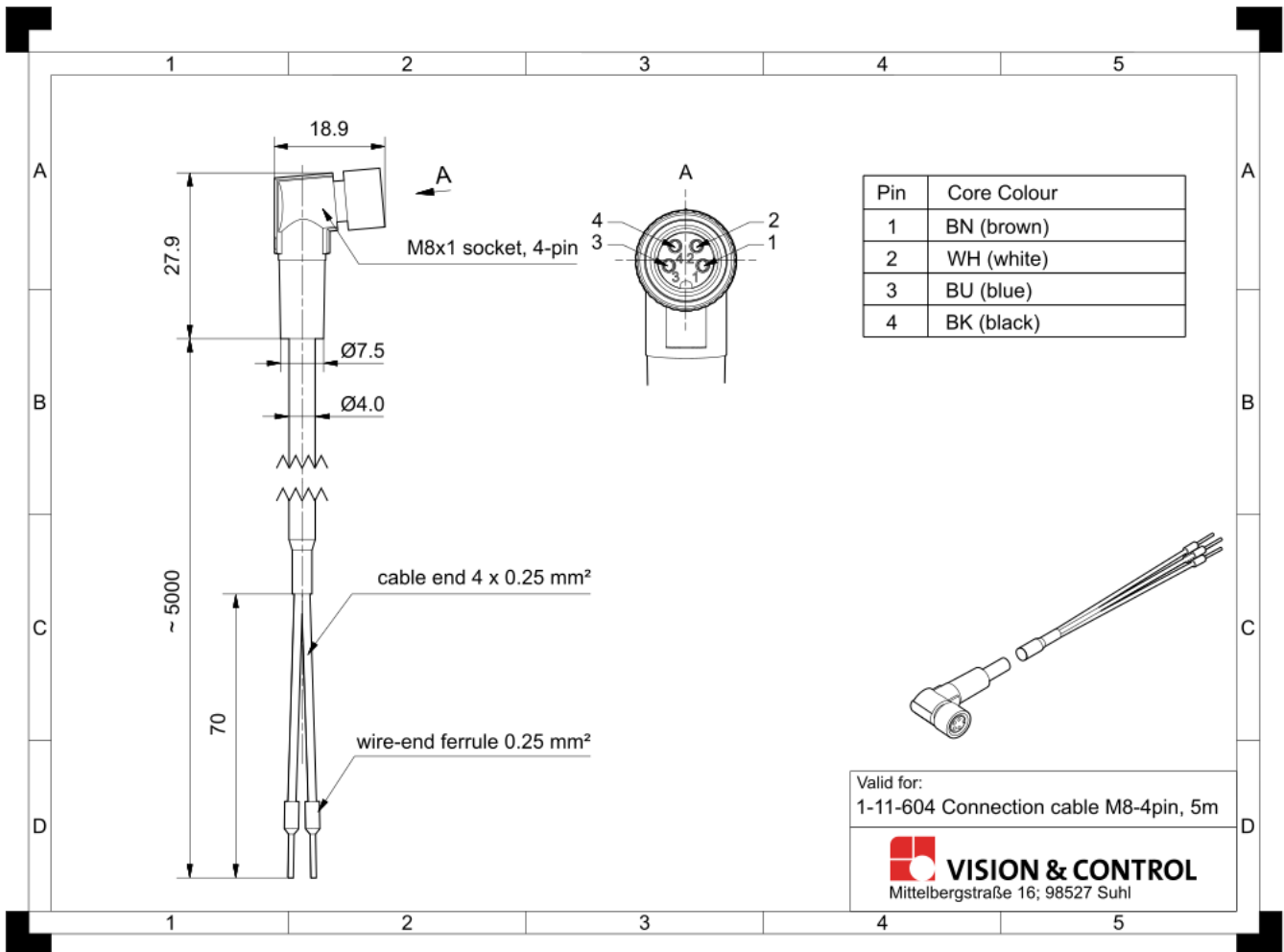
Characteristics

- Connection cable with 4-pin M8 socket and open cable end
 - Socket: angled, plug connector with screw lock
 - open cable end: assembled, 70 cm stripped, cores crimped with wire-end ferrules
 - Length: 5 m
 - Cable structure: 4 x 0.25 mm²
 - Drag chain suitable, resistant to bending stress, strain-relieved and oil-resistant
-

Technical data

| | |
|--------------------------|--|
| Cabel type | connection cable |
| Connector A | M8 socket, 4-pin, angled |
| Connector B | free cable end with wire-end ferrules 0.25 mm ² |
| Cabel | |
| Cable length | 5 m |
| Cable diameter | 4.0 mm |
| Cable structure | 4 x 0.25 mm ² (AWG 24) |
| Sheath material | PUR |
| Ambient temperature | fixed: -40° to +80°C flexible: -5° to +80°C |
| Drag chain suitable | yes |
| Bending radius | fixed: 20 mm flexible: 40 mm |
| Bending cycles | at least 4 million |
| Robot-suitable | no |
| Length of free cable end | ~ 70 mm |
| Connector | |
| Locking system | screwable |
| Mechanical operation | > 100 mating cycles |
| Rated voltage | 60 V |
| Rated current | 1 A at 40°C |
| Degree of protection | IP67, if connected |

Drawings



Dimensional drawing in mm